

SAFETY BRIEF

MECHANICAL ENGINEERING:

Triodyne Inc. (Est. 1969)

Officers

Ralph L. Barnett
Dolores Gildin
S. Carl Uzgiris

Mechanical Engineering

Dennis B. Brickman
Kenneth L. d'Entremont
Michael A. Dilich
Christopher W. Ferrone
Suzanne A. Glowiak
John M. Goebelbecker
Crispin Hales
Dror Kopernik
Woodrow Nelson
Peter J. Poczynok
William G. Switalski
Andrew H. Tudor
James R. Wingfield

Library Services

Lucinda Fuller
Betty Bellows
Marna Forbes
Maureen Gilligan
Jan A. King
Norene Kramer
Florence Lasky
Neil Miller
Sandra Prieto
Denise Prokudowicz
Jackie Schwartz
Peter Warner

Information Products

Expert Transcript Center (ETC)
Marna Forbes
Glenn Werner

Contract Services

Lucinda Fuller

Training and Editorial Services

Paula L. Barnett

Video Services

Andrew B. Cizmar

Graphic Communications

Thomas E. Zabinski
Andrew B. Cizmar
Charles D'Eccliss

Model Laboratory

2721 Allison Lane
Wilmette, IL 60091-2101
Bill Brown
Mario Visocnik

Vehicle Laboratory

Charles Sinkovits

Photographic Laboratory

7903 Beckwith Road
Morton Grove, IL 60053
Larry Good

Business Systems

Chris Ann Gonatas
Sandie Christiansen
Peggy Dietrich
Sandra M. Duffy

ENVIRONMENTAL ENGINEERING:

Triodyne Environmental Engineering, Inc. (Est. 1989)

5950 West Touhy Avenue
Niles, IL 60714-4610
(847) 647-6748
FAX: (847) 647-2047

Officers/Directors

Gary M. Hutter
Ralph L. Barnett
S. Carl Uzgiris

Engineering/Science

John P. Bederka, Jr.
Richard Gullickson
Diane K. Moshman
William D. Sheridan
Audrone M. Stake

Library/Research Services

Lucinda Fuller
Shelley Hamilton

August 1997



Triodyne Inc.

Consulting Engineers & Scientists – Safety Philosophy & Technology
5950 West Touhy Avenue Niles, IL 60714-4610 (847) 677-4730

FAX: (847) 647-2047

e-mail: infoserv@triodyne.com

Volume 13, No. 1

Forklift Safety Bibliography

by Lucinda J. Fuller¹

INTRODUCTION

The safety of forklift trucks has been a concern throughout the twentieth century. Early problems included forklift instability on both rough and smooth surfaces, battery explosions, and lack of falling object protection and operator restraints. To these issues, have been added concerns over the health effects of forklift emissions, demand for ergonomic design of operator stations and controls, and the need to train lift truck operators to work safely in the narrow aisles of today's fast-moving, space-conserving warehouses and loading docks.

This bibliography of forklift safety research documents the development of lift truck safety, design, and standardization. The Forklift Safety Bibliography encompasses a wealth of safety-related material, covering the years 1925 through 1997. The collection includes government and industry standards, research reports, periodical articles, accident statistics, and operator training materials.

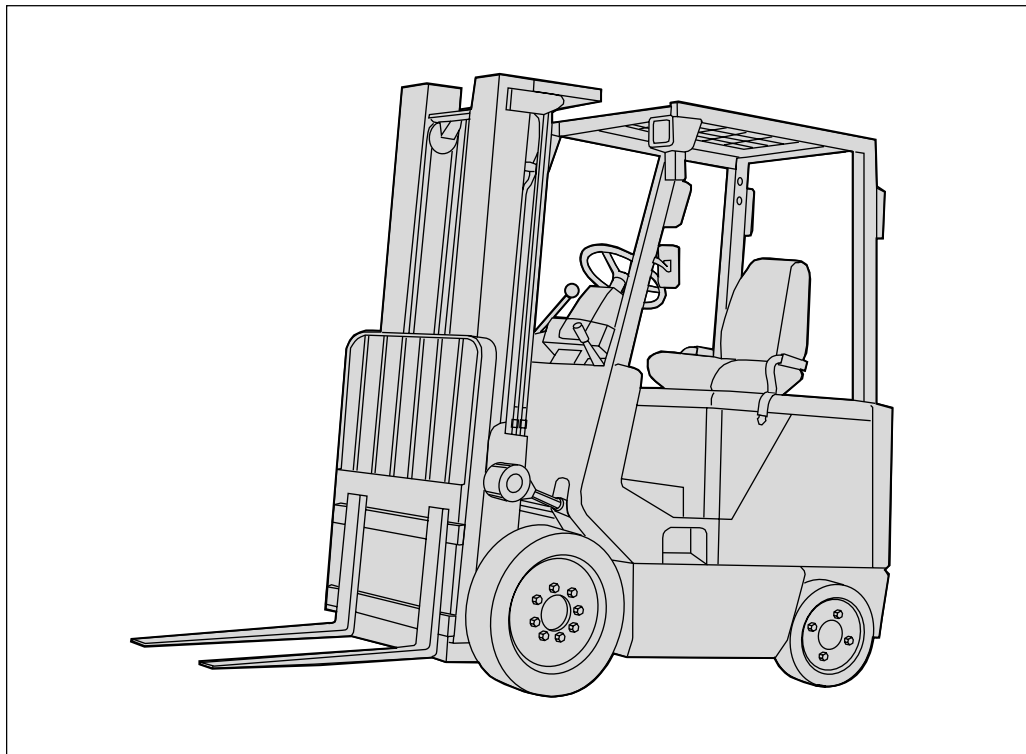


Fig. 1 Sit Down Rider – Four Wheel

¹ Director of Library Services, Triodyne Inc., Niles, IL.

This publication is drawn from a fully-indexed computer database developed and maintained by Triodyne Inc. For more information, contact the Triodyne Safety Information Center (847) 677-4730.

FIRE AND EXPLOSION:

Triodyne Fire & Explosion Engineers, Inc. (Est. 1987)

2907 Butterfield Road
Suite 120
Oak Brook, IL 60521-1176
(630) 573-7707
FAX: (630) 573-7731

Officers/Directors

John A. Campbell
Ralph L. Barnett
S. Carl Uzgiris

Engineering

John A. Campbell
Scott M. Howell
Norbert R. Orszula
Kim R. Mniszewski

RECREATION ENGINEERING:

Triodyne Recreation Engineering, Inc. (Est. 1994)

5950 West Touhy Avenue
Niles, IL 60714-4610
(847) 647-9882
FAX: (847) 647-0785

Officers/Directors

Brian D. King
Jeffery W. Abendshien
Ralph L. Barnett
S. Carl Uzgiris

Engineering/Science

Brian D. King
Jeffery W. Abendshien
Patrick M. Brinckerhoff
Peter J. Poczynok

SAFETY RESEARCH:

Institute for Advanced Safety Studies (Est. 1984)

5950 West Touhy Avenue
Niles, IL 60714-4610
(847) 647-1101

Chairman of the Board

Ralph L. Barnett

Director of Operations

Paula L. Barnett

Information Services

Lucinda Fuller

Senior Science Advisor

Theodore Liber

MANUFACTURING:

Alliance Tool & Mfg. Inc. (Est. 1945)

91 East Wilcox Street
Maywood, IL 60153-2397
(312) 261-1712
(708) 345-5444
FAX: (708) 345-4004

Officers

S. Carl Uzgiris
Ralph L. Barnett

General Manager

Ramesh Gandhi

Plant Manager

Ray Gach

Founders/Consultants

Joseph Gansacz
Albert Kanikula

CONSTRUCTION:

Triodyne-Wangler Construction Company Inc. (Est. 1993)

5950 West Touhy Avenue
Niles, IL 60714-4610
(847) 647-8866
FAX: (847) 647-0785

Officers/Directors/Managers

Joel I. Barnett
William A. Wangler
Joseph Wangler
Ralph L. Barnett
S. Carl Uzgiris

CONSULTANTS:

Richard M. Bilof, Ph.D.
Electromagnetic Compatibility

Claudine P. Giebs, M.S.

Biomechanics

Beth A. Hamilton

Information Science

David W. Levinson, Ph.D.

Senior Metallurgical Advisor

Steven R. Schmid, Ph.D.

Food Processing Equipment

No Charge

0001 Institute of Scrap Recycling Industries, Inc. Safety Guide for Forklift Truck Operators. Washington, Institute of Scrap Recycling Industries, Inc., undated.

0002 Maryland Occupational Safety and Health Administration Maryland Fatal Facts: Crushed in Mast of Forklift. Maryland Fatal Facts Issue #9, undated, 1 p.

0003 Maryland Occupational Safety and Health Administration Maryland Fatal Facts: Fall From Elevated Forklift Pallet. Maryland Fatal Facts Issue #8, undated, 1 p.

0004 Anonymous Elwell-Parker Electric Lift Tractor. American Machinist LXII (May 28, 1925): 865.

0005 Anonymous Electric Lift Tractor Designed for Rough Runways. Railway Age v. 79 #3 (July 18, 1925): 151-152.

0006 Anonymous Elwell-Parker Tractor, Type-ER. American Machinist v. 63 #9 (August 27, 1925): 371-372.

0007 Anonymous Low Lift Truck Embodies Safety Features. Steel v. 92 (February 6, 1933): 40.

0008 Sanford, G. E. Industrial Truck and Tractor Accidents and Their Elimination. Safety Engineering v. 66 (October 1933): 123-124.

0009 Herdman, Allan W. Beasts of Burden. National Safety News v. 39 (May 1939): 22-23.

0010 Armstrong, T. O., Blake, Roland P. et al. Handling Material. Industrial Safety New York, Prentice-Hall, 1943, chapter XIV, pp. 143-151.

0011 Anonymous How Industrial Truck Design Meets Current Needs. Machine Design v. 15 (January 1943): 74-76, 112.

0012 Schwab, George H. Swing Arm Improves Effectiveness of Fork Truck in Crowded Areas and Narrow Aisles. Steel v. 112 (June 14, 1943): 123-124.

0013 Anonymous Power Trucks and Auxiliary Equipment. Factory Management and Maintenance v. 101 (December 1943): 156, 158.

0014 Anonymous New Equipment: Material Handling. Iron Age v. 153 (June 29, 1944): 54-55.

0015 Anonymous Overhead Guard Shields Truck Operator. National Safety News v. 50 (December 1944): 21.

0016 Anonymous American Industrial Trucks. Mechanical Handling v. 32 (August 1945): 463-467.

0017 Anonymous Handling Material with Fork Lift Trucks. Safety Engineering v. 90 #4 (October 1945): 104.

0018 Anonymous American Industrial Trucks II. Mechanical Handling v. 32 (November 1945): 633-635.

0019 Moriarty, T. F. Thirty-Five Years of Lift-Truck Growth. Paper Trade Journal (November 22, 1945): 76-79.

0020 National Safety Council Mechanical Handling: Power Trucks. Accident Prevention Manual For Industrial Operations, 1st ed. Chicago, National Safety Council, 1946, pp. 192-203.

0021 Cook, C. B. Transporting Materials Safely With Power Trucks and Tractors. Rubber Age v. 59 (April 1946): 64-66.

0022 Moriarty, T. F. History of the Lift Truck in the Paper Industry. Paper Industry v. 28 (May 1946): 226-229.

0023 Anonymous Plant Transportation Loading Chart - Determining Safe Loads. Safety Engineering v. 92 #2 (August 1946): 50.

0024 Anonymous Safe Operation of Motorized Materials-Handling Equipment. Safety Engineering v. 92 #2 (October 1946): 56.

0025 Slade, F. H. Developments in High-Lift Trucks. Mechanical Handling v. 34 #1 (January 1947): 15-21.

0026 Lynch, Joseph D. Guidance for In-Plant Trucks & Elevators. Safety Engineering v. 95 (February 1948): 26-29.

0027 Sherriff, Fred. Built-in Overload Protection for Control Valve. Machine Design v. 20 #4 (April 1948): 180-181.

0028 Anonymous Sponsor Code for Power Trucks. National Safety News v. 58 (August 1948): 48.

0029 Kells, C. F. Fool-Proof Trucking. Safety Engineering v. 96 (August 1948): 14-17, 49.

0030 International Labour Office Power Trucks and Hand Trucks. Model Code of Safety Regulations for Industrial Establishments for the Guidance of Governments and Industry Geneva, Switzerland, International Labour Office, 1949, section 3, pp.297-302.

0031 Anonymous Industrial Trucks. American Machinist v. 93 (November 3, 1949): 213.

0032 Naval Supply Research & Development Facility Fork Truck Stability. Supply Engineering Division Report #002 Bayonne, NJ, Naval Supply Research & Development Facility, 1949-1950.

0033 Underwriters Laboratories, Inc. Standard for Industrial Gasoline-Tractors. UL 583-1950 Chicago, Underwriters Laboratories Inc., January 1950.

0034 Anonymous Thirty-Five Rules for Power Trucks and Safety Pointers for Their General Operation. Safety Engineering v. 99 #2 (February 1950): 16-17, 47-49.

0035 McDonald, Joseph Machine That Helped to Win the War: One Forklift Equals 115 Natives. Mechanical Handling v. 37 #1 (March 1950): 10-16.

0036 Anonymous Novel Transmission Improves Truck Performance. Machine Design v. 22 (April 1950): 133-135.

0037 Baur, Stephen Fork Truck Attachments Increase Versatility. Iron Age v. 165 #21 (May 25, 1950): 67-70.

0038 American Society of Mechanical Engineers Safety Code for Industrial Power Trucks. ASA B56.1-1950 New York, American Society of Mechanical Engineers, approved by the American Standards Association June 28, 1950.

0039 Anonymous New Standards for Industrial Trucks. National Safety News v. 62 (September 1950): 89-90.

0040 Department of Defense Military Specification: Engines, Gasoline, Industrial Type, 300 BHP and Under, General Specifications. MIL-E-11275B superseding MIL-E-11275A 1952 and MIL-E-4272(USAF) 1951 Washington, Department of Defense, April 18, 1951.

0041 Anonymous Industrial Truck Safety Standards. Safety Maintenance and Production v. 102 #2 (August 1951): 52-53.

0042 Milz, Harold How High Stacking Affects Fork Truck Stability. Modern Materials Handling v. 6 #12 (December 1951).

0043 Moran, J. W. Don't Let Your Dream Truck Become a Nightmare: The Truth About Special Fork Trucks. Modern Materials Handling v. 7 #1 (January 1952): 31-36.

0044 Liberty Mutual Insurance Company Fork Lift Truck-Canopy Guard. Drawing #2124 Hopkinton, MA, Liberty Mutual Insurance Company, Loss Prevention Department, January 25, 1952.

0045 Holm, D. R. Selecting and Training Fork-Truck Operators. Mechanical Engineering v. 74 #7 (July 1952): 568-572.

0046 Kaar, Paul H. Method of Obtaining Shear Stress-Strain Graphs by Interpretation of Moment-Twist Data. ASME 52-F-31 New York, American Society of Mechanical Engineers, September 8-11, 1952.

0047 Anonymous How to Increase Fork Truck Safety. Modern Materials Handling v. 8 #3 (March 1953): 105-109.

0048 Anonymous Industrial Trucks and Tractors. National Safety News v. 67 (March 1953): 158.

0049 Anonymous Power Truck Operation. National Safety News v. 67 (March 1953): 55.

0050 Henckle, O. T. Do's and Don't's for Fork Trucks. Safety Maintenance and Production v. 105 #3 (March 1953): 72-73, 76.

0051 Naval Supply Research & Development Facility Evaluation Report on Three Wheel Fork Lift Truck. Engineering Report #2.401041 Bayonne, NJ, Naval Supply Research and Development Facility, Supply Engineering Division, June 30, 1953.

0052 Meddick, W. A. Stop Truck Accidents Before They Occur. Steel v. 133 #10 (September 7, 1953): 114-115.

0053 Anonymous Trucking Safety Solved. Steel v. 133 (October 5, 1953): 100.

0054 Milz, Harold Formula for Fork Truck Balance. Safety Maintenance and Production v. 106 #5 (November 1953): 28-32.

0055 Milz, Harold How High Can a Fork Truck Reach? National Safety News v. 68 (November 1953): 32-33, 163-166.

0056 Kemple, A. P. and W. L. Davis Boom Extends Usefulness of Fork-Lift Truck. Electrical World v. 140 (November 30, 1953): 114.

0057 Association of Casualty and Surety Companies Handling and Transportation of Materials. Handbook of Industrial Safety Standards, 9th revision New York, Association of Casualty and Surety Companies, 1954, section 12, pp. 77-83.

0058 International Labour Office Power Trucks and Hand Trucks. Model Code of Safety Regulations for Industrial Establishments for the Guidance of Governments and Industry Geneva, Switzerland, International Labour Office, 1954, section 3, pp. 297-301.

0059 Sichman, John J. How Trailability Determines Tractor-Trailer Aisle Widths. Iron & Steel Engineer v. 31 #2 (February 1954): 120, 123-124.

0060 Anonymous Industrial Trucks and Tractors. National Safety News v. 69 (March 1954): 171.

0061 Anonymous Lift-Truck Attachment for Handling Rolls. Engineering (March 26, 1954): 414.

0062 Anonymous Facts About Modern Fork Truck Attachments. Mill & Factory v. 54 #5 (May 1954): 260.

0063 Fitts, Paul M. Information Capacity of the Human Motor System in Controlling the Amplitude of Movement. Journal of Experimental Psychology v. 47 #6 (June 1954): 381-391.

0064 National Safety Council Power Trucks and Tractors. Accident Prevention Manual for Industrial Operations, 3rd ed. Chicago, IL, National Safety Council, 1955, chapter 21, pp. 21.1-21.23.

0065 Department of Labor, Bureau of Labor Statistics Injuries and Accident Causes in Warehousing Operations. Bulletin 1174 Washington, Department of Labor, Bureau of Labor Statistics, January 1955.

0066 Anonymous Lift Truck Designed for Safety. Serviceability. Machine Design v. 27 (February 1955): 210.

0067 Anonymous Plant Trucks and Tractors. National Safety News v. 71 (March 1955): 196.

0068 Anonymous Ten Problems of Industrial Truck Maintenance. Safety Maintenance and Production v. 109 #3 (March 1955): 26, 34.

0069 Rodes, T. W. Attachments and Accessories Make Today's Lift and Low Trucks More Versatile. Industrial and Engineering Chemistry v. 47 #3 (March 1955): 101A-102A.

0070 Wier, Frank C. and John C. Lantz Maintenance of Mobile Equipment. Iron & Steel Engineer v. 32 #3 (March 1955): 90-98.

0071 American Society of Mechanical Engineers Safety Codes for Industrial Power Trucks. ASA B56.1-1955 New York, American Society of Mechanical Engineers, approved by the American Standards Association March 8, 1955.

0072 Schuster, F. C. Hydraulics on Lift Trucks. Automotive Industries v. 112 (May 15, 1955): 168, 178, 184, 186.

0073 Sheffield, Wilbur L. Your Fork Lift Trucks and the Men Who Drive Them. National Safety News v. 72 (August 1955): 28-29, 60.

0074 Society of Automotive Engineers Construction and Industrial Vehicle Test Codes. SAE (Precursor to SAE J874) Warrendale, PA, Society of Automotive Engineers, approved December 1954, revised May 1956.

0075 Anonymous Design for Quick Disassembly Simplifies Service. Machine Design v. 28 (May 31, 1956): 130-132.

0076 Anonymous Celebrated 50th Anniversary of Industrial Truck. National Safety News v. 73 (June 1956): 130.

0077 Chance, D. L. Four Elements of Lift Truck Safety. Safety Maintenance and Production v. 111 #6 (June 1956): 22-25.

0078 Anonymous Lift Trucks Get the Auto Touch. Business Week (June 9, 1956): 107-108.

0079 Carliss, Oswald S. Correspondence to Roland Puder and others, commenting on ASME paper 56-A-114, Fork Truck Stability: A Study in Moments, No Location, Letter from Oswald S. Carliss to Roland W. Puder, William H. Bogar and Richard D. Jay, American Society of Mechanical Engineers, November 26, 1956.

0080 Industrial Truck Association
Industrial Truck Engineering Data.
Handbook of Powered Industrial Trucks
Washington, Industrial Truck Association, 1957, section 4, pp. 69-79.

0081 Industrial Truck Association
Industrial Truck Safety.
Handbook of Powered Industrial Trucks
Washington, Industrial Truck Association, 1957, section 3, pp. 62-66.

0082 Taborek, Jaroslav
Mechanics of Vehicles.
Cleveland, OH, Penton Publishing Company, Penton
Education Division, 1957.

0083 Anonymous
Truck Requirements are Listed.
Midwest Engineer
v. 9 #8 (January 1957): 13.

0084 Chiarello, G. P.
Safe Use of Industrial Trucks.
Safety Maintenance and Production
v. 113 #1 (January 1957): 17-18, 27.

0085 Puder, R. W., W. H. Bogar and R. D. Jay
New Concept in Fork Truck Stability.
Modern Materials Handling
v. 12 #1 (January 1957): 101-106.

0086 Batche, M. R.
Handle with Care!
Safety Maintenance and Production
v. 113 #2 (February 1957): 22-24.

0087 Lewis, John H.
Points to Consider in Selecting Fork Trucks.
Safety Maintenance
v. 113 (April 1957): 26-27.

0088 Lindsay, George C.
Safety Programs: Here's One That Really Works.
Rock Products
v. 10 #5 (May 1957): 72-73, 106, 108.

0089 Carliss, Oswald S., P. L. Brainard, Edward P. Patrick, and L.
K. Jensen
Second Look at Fork Truck Stability.
Modern Materials Handling
v. 12 #7 (July 1957): 104-108.

0090 Anonymous
Safety Curbing Keeps Fork Trucks Where They Belong.
Safety Maintenance and Production
v. 114 #3 (September 1957): 33-34.

0091 Anonymous
Ball-and-Socket Locking Mechanism Simplifies Removal of
Overhead Guard.
Machine Design
v. 29 #18 (September 5, 1957): 96.

0092 Anonymous
Plant Safety Vehicles Meet Emergencies.
Iron Age
v. 180 (September 5, 1957): 133-135.

0093 Anonymous
Trucks Aid Safety - Safety Aids Trucks.
Safety Maintenance
v. 114 #4 (October 1957): 20-21.

0094 Carliss, Oswald S.
Industrial Fork Truck Stability.
Lecture given at Grosvenor House, London, October 22, 1957.

0095 Ransome, R. B.
Fork Truck Stability.
Mechanical Handling
(December 1957): 701-706.

0096 Carliss, Oswald S.
Stability of Fork Lift Trucks.
Engineering
v. 184 (December 27, 1957): 819.

0097 Bolz, Harold A. and George E. Hagemann
Powered Industrial Trucks.
Materials Handling Handbook
New York, Ronald Press Company, 1958, section 40, pp. 40-1
to 40-32.

0098 Smith, L. C.
Seat Belts For Fork Lift Trucks?
National Safety News
v. 76 (February 1958): 14.

0099 Annett, J., C. W. Golby and H. Kay
Measurement of Elements in an Assembly Task-The
Information Output of the Human Motor System.
Quarterly Journal of Experimental Psychology
v. 10 Part I (January-March 1958): 1-11.

0100 Dorod, A. E.
How Can Accidents with Fork Trucks Be Avoided?
Modern Castings
v. 33 #3 (March 1958): 28-30.

0101 Busse, William
How to Maintain Explosion-Proof Trucks.
Safety Maintenance
v. 115 #5 (May 1958): 20-22, 34.

0102 Anonymous
No Mast on This Lift Truck.
Product Engineering
v. 29 (May 26, 1958): 67.

0103 Underwriters Laboratories, Inc.
LP-Gas Industrial Trucks.
UL 558-1958 1st ed.
Chicago, Underwriters Laboratories, Inc., approved September 1958.

0104 Anonymous
Navy Helps Teach Fork-Lift Safety.
Industrial Supervisor
v. 22 #10 (October 1958): 14-15.

0105 Mumby, Kay
Proving the B.L.T.A. Stability Tests.
Mechanical Handling
v. 45 #12 (December 1958): 808-813.

0106 National Safety Council
Power Trucks and Tractors.
Accident Prevention Manual for Industrial Operations, 4th ed.
Chicago, IL, National Safety Council, 1959, chapter 21, pp.
21.1-21.24.

0107 Waldren, Robert K.
Integrated Approach to Material Handling.
National Safety Congress Transactions, Trades and Services Section
Chicago, National Safety Council, 1959, pp. 62-68.

0108 Heinrich, Chester J.
Plan Safety into Materials.
Safety Maintenance and Production
v. 117 #2 (February 1959): 14-18.

0109 American Society of Mechanical Engineers
American Standard Safety Code for Powered Industrial Trucks.
ASA B56, 1-1959
New York, American Society of Mechanical Engineers,
approved by the American Standards Association August 18, 1959.

0110 Douglas Aircraft Company, Inc. and National Safety Council
Overhead Guard for Fork Lift Truck.
Detail Drawing Sheet #90
El Segundo, CA, Douglas Aircraft Company, Inc., c.1960.

0111 Anonymous
Revise Code for Power Trucks.
National Safety News
v. 80 (February 1960): 106.

0112 Carliss, Oswald S.
Industrial Trucks Designed for Safety.
Safety Maintenance and Production
v. 119 #2 (February 1960): 18-19, 22-23, 26.

0113 Department of Defense
Military Specification: Engines, Gasoline, Industrial Type,
General Specification For.
MIL-E-11275C, superseding MIL-E-11275B 1955
Washington, Department of Defense, February 19, 1960.

0114 Department of Defense
Military Specification: Engines, Gasoline, Industrial Type,
General Specification For.
MIL-E-11275C Amendment 1
Washington, Department of Defense, December 14, 1960.

0115 Anonymous
Non-Slip Compound Tightens Clamp's Grip.
Safety Maintenance
v. 121 #3 (March 1961): 17-18.

0116 Anonymous
Trucks Move the Product.
National Safety News
v. 82 (March 1961): 196, 198.

0117 Hix
Don't Worry About the Fast Driving...I'm Wearing a Seat Belt.
[Cartoon]
National Safety News
v. 82 (March 1961): 194.

0118 Anonymous
Safety Gets a Lift.
National Safety News
v. 82 (May 1961): 32-33.

0119 Anonymous
Double-Action Flapper Stops Truck Tilting.
Machine Design
v. 41 (August 7, 1961): 111.

0120 Jensen, Lester K.
Fork Lift Truck Stability Design Criteria.
SAE 405B
New York, Society of Automotive Engineers, September 1961.

0121 Singer, Robert B.
New Power Train for Mobilift Fork Lift Trucks.
SAE 407A
New York, Society of Automotive Engineers, September 1961.

0122 Underwriters Laboratories, Inc.
Internal Combustion Engine-Powered Industrial Trucks.
UL 558-1961 2nd ed.
Chicago, Underwriters Laboratories, Inc., approved September 1961.

0123 Goodwin, Charles A.
How to Train Safe Drivers in Industry.
Mill & Factory
v. 69 (October 1961): 105-109.

0124 Schloss, Fred
Recent Advances in the Measurement of Structural
Impedance.
SAE 426B
New York, Society of Automotive Engineers, October 1961.

0125 Booth, K. E. and C. G. Chantrell
Materials Handling with Industrial Trucks.
London, British Industrial Truck Association, 1962.

0126 Jensen, Lester K.
ITA Test Shows Lift Truck Stability.
SAE Journal
v. 70 #1 (January 1962): 87-89.

0127 Anonymous
Safety Tips for Servicing Electric Trucks.
Safety Maintenance and Production
v. 123 #2 (February 1962): 61.

0128 Anonymous
Power Trucks.
National Safety News
v. 84 (March 1962): 202-204.

0129 Wisconsin (State of)
Powered Industrial Trucks.
Wisconsin Administrative Code Section Ind. 1.79
Madison, WI, Wisconsin Department of Industry, Labor &
Human Relations, effective March 1, 1962, as published in Register #273,
September 1978.

0130 Anonymous
Are Your Power Trucks Skunking the Air?
Safety Maintenance
v. 123 #4 (April 1962): 54-56.

0131 Purcell, William F. H.
Designing for Heavy Duty.
Automotive Industries
v. 126 #12 (June 15, 1962): 66-73.

0132 Anonymous
Charging Forks.
Iron and Steel Engineer
v. 39 (December 1962): 239-240.

0133 Blake, Roland P.
Handling Material.
Industrial Safety, 3rd. ed.
Englewood Cliffs, NJ, Prentice-Hall, 1963, chapter 14, pp. 151-155.

0134 National Safety Council
Powered Hand Trucks.
NSC Data Sheet 317 (Revised)
Chicago, National Safety Council, 1963.

0135 Anonymous
Operating Industrial Power Trucks: Their Use Should Be
Governed by Current Codes.
National Safety News
v. 86 #3 (March 1963): 194-195.

0136 Anonymous
Thirteen Ways to Kill or Cure a Fork Truck.
Foundry
v. 91 (March 1963): 156, 158.

0137 Booth, K. E. and C. G. Chantrell
Practical Truck Engineering.
Mechanical Handling
v. 50 #5 (May 1963): 257-264.

0138 Koch, G. W.
Training and Licensing Industrial Truck Operators.
Wire and Wire Products
v. 38 (May 1963): 679, 715-716.

0139 Coleman, James P.
Fork Truck Training Programs: Most Stop Where They Should Start!
Modern Materials Handling
v. 18 #6 (June 1963): 46-49.

0140 Parnall, C. E.
Fork Truck for Difficult Ground Conditions.
Mechanical Handling
v. 50 #7 (July 1963): 377-382.

0141 Anonymous
How the FAA Safeguards its Own.
National Safety News
v. 87 (August 1963): 40-42.

0142 Anonymous
Driver Training Program Overcomes Handling, Maintenance Obstacles.
Mill & Factory
v. 73 (October 1963): 68-69.

0143 Dye, John H. and Patrick H. Shea
Forklifts and Their Applications.
ASME 63-MH-1
New York, American Society of Mechanical Engineers, October
14-15, 1963.

0144 Anonymous
Lift Truck Design, Performance Improved Speed, Cost Features of Computer.
Steel
v. 153 (October 21, 1963): 189.

0145 Kilson, A. W. and Joseph C. Caldwell
Fork-Lift Guard Hazards.
National Safety News
v. 87 (November 1963): 8-10.

0146 National Safety Council
Power Trucks.
Accident Prevention Manual for Industrial Operations, 5th ed.
Chicago, IL, National Safety Council, 1964, chapter 20, pp.
20.1-20.24.

0147 Society of Automotive Engineers
Center of Gravity Test Code.
SAE J874
Warrendale, PA, Society of Automotive Engineers, revised May
1958, editorial change January 1964.

0148 Schuster, F. C.
Safety for Lift Trucks.
Allis-Chalmers Engineering Review
v. 29 #2 (April/June 1964): 18-22.

0149 Society of Automotive Engineers
Control Locations for Construction and Industrial Equipment Design.
SAE J898
Warrendale, PA, Society of Automotive Engineers, approved August 1964.

0150 Society of Automotive Engineers
Operator's Seat Dimensions: Construction and Industrial Equipment
Design.
SAE J899
Warrendale, PA, Society of Automotive Engineers, approved August 1964.

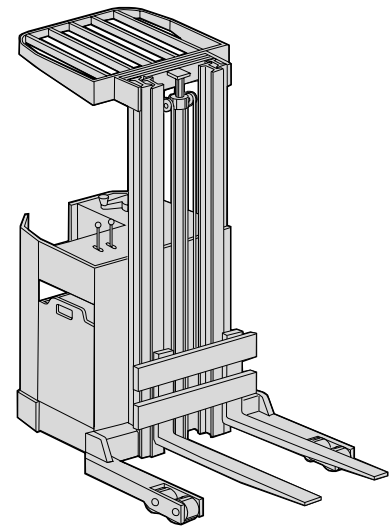


Fig. 2 Narrow Aisle Rider Truck

0151 Neill, D. G.
Program Trains Operators for Safe Lift Truck Handling.
Plant Engineering
v. 18 #9 (September 1964): 124-127.

0152 Schuster, F. C.
How to Select Safe Lift Trucks.
Welding Engineer
v. 49 (November 1964): 55-57.

0153 Schuster, F. C.
Safety for Lift Trucks.
Safety Maintenance and Production
v. 128 #6 (December 1964): 13-16, 19.

0154 Carliss, Oswald S.
Manufacturers' Contribution to Stevedoring Safety.
National Safety Congress Transactions, Marine Section
Chicago, National Safety Council, 1965, pp. 11-15.

0155 Powers, C. H.
In-Plant Driver Training.
National Safety Congress Transactions, Pulp and Paper Section
Chicago, National Safety Council, 1965, pp. 22-25.

0156 Anonymous
Testing Mobile Cranes and Fork Trucks.
Mechanical Handling
v. 52 #4 (April 1965): 186-190.

0157 Ferrell, William R.
Remote Manipulation with Transmission Delay.
IEEE Transactions on Human Factors in Electronics
HFE-6 #1 (September 1965): 24-32.

0158 Anonymous
Fatal Accident Involving Electric Forklift.
Safety Review
v. 22 #12 (December 1965): 15.

0159 National Fire Protection Association
Standard for the Use, Maintenance and Operation of Industrial Trucks.
NFPA 505 1966
Boston, National Fire Protection Association, 1966.

0160 Anonymous
Safe Ride for Unstable Loads.
Modern Materials Handling
v. 21 #2 (February 1966): 54-55.

0161 Anonymous
Modifications Reduce Forklift Truck Hazards.
National Safety News
v. 93 (March 1966): 71-73.

0162 Society of Automotive Engineers
Gradeability Test Code.
SAE J950
Warrendale, PA, Society of Automotive Engineers, approved May 1966.

0163 Department of Defense
Military Specification: Trucks, Lift, Fork, Gasoline: General
Specifications For
MIL-T-21870, superseding MIL-T-15442-J 1962 and MIL-T-15445-J 1962
Washington, Department of Defense, May 24, 1966.

0164 Stevens, Philip H., David O. Chase and Alan W. Brownlie
Industrial Design of a Narrow Aisle Sit-Down Lift Truck.
Human Factors
v. 8 #4 (August 1966): 317-325.

0165 Beach, Willis J.
Production/Engineering.
Soap & Chemical Specialties
v. 42 (September 1966): 209-211, 220.

0166 Kuivane, Gordon J. and Stanley K. Smith
Unique Transmission Concept for Stand-Up Type Fork Lift Trucks.
SAE 660595
New York, Society of Automotive Engineers, September 1966.

0167 Hopkins, Stuart K.
Manufacturers Exhibit Safety Conscious Industrial Trucks.
National Safety News
v. 93 (October 1966): 28-29.

0168 Aldred, Jack L.
Hydraulic Components and Circuits of 130,000 lb Log Stacker.
SAE 670698
New York, Society of Automotive Engineers, 1967.

0169 Mumby, Kay
Forklifts on Cargo Ships.
Mechanical Handling
v. 54 #2 (February 1967): 72-75.

0170 Army Corps of Engineers
Motor Vehicles.
General Safety Requirements Manual, EM 285-1-1
Washington, Army Corps of Engineers, December 16, 1941,
revised March 1, 1967, section XIX, pp. 68-73.

0171 Knight, A. A. and P. R. Dagnall
Precision in Movements.
Ergonomics
v. 10 #3 (March 1967): 321-330.

0172 Anonymous
Hold-Down Device Boosts Loading Safety.
Modern Materials Handling
v. 22 #8 (August 1967): 67.

0173 Corbett, Scott S.
Development of Rubber-Tired Log Stackers.
SAE 670691
New York, Society of Automotive Engineers, August 1967.

0174 Anonymous
Attachments Boost Service From Trucks.
Modern Materials Handling
v. 22 #9 (September 1967): 70, 73.

0175 Farrell, Charles E.
Common Sense Guide to Fork Truck Operation.
Safety Maintenance
v. 134 #4 (October 1967): 25.

0176 Jewell, D. K.
Some of the Trends in Lift Truck Design.
Canadian Machinery and Metalworking
v. 78 #10 (October 1967): 84-86.

0177 Puder, R. W. et al.
Fork Truck Stability - A Study in Moments.
ASME 56-A-114
New York, American Society of Mechanical Engineers, November 25-30, 1956.

0178 Anonymous
How the ITA Contributes to Voluntary Standardization.
Magazine of Standards
v. 38 #12 (December 1967): 356-359.

0179 Society of Automotive Engineers
Center of Gravity Test Code.
SAE J874a
Warrendale, PA, Society of Automotive Engineers, revised February 1968.

0180 Anonymous
Taking the Danger Out of Docks.
National Safety News
v. 98 #3 (September 1968): 58-61.

0181 Schwind, Gene F.
Fork Inspection for Safer Handling.
Material Handling Engineering
v. 23 #9 (September 1968): 86-89.

0182 British Standards Institution
Methods for Stability Testing of Fork Lift Trucks: Amendment
Slip Number 1 to BS 3726 1964.
BS 3726 1964, AMD 147
London, British Standards Institution, November 21, 1968.

0183 Carliss, Oswald S.
Safety Aspects in the Design of Industrial Trucks.
ASME 68-WA/SAF-3
New York, American Society of Mechanical Engineers,
December 1-5, 1968.

0184 Shikes, N. B.
Industrial Truck Safety Operation and Maintenance of Industrial Trucks.
ASME 68-WA/SAF-1
New York, American Society of Mechanical Engineers, December 1-5, 1968.

0185 National Safety Council
Liquefied Petroleum Gases for Industrial Trucks.
NSC Data Sheet 479 Revision A (Extensive)
Chicago, National Safety Council, 1969.

0186 National Safety Council
Lift Truck Training.
National Safety News
v. 99 #1 (January 1969): 51-53.

0187 Shikes, N. B.
Fork Truck Safety: We're Not Home-Free, Yet!
Modern Materials Handling
v. 24 #2 (February 1969): 36-40.

0188 Anonymous
Safety in MH: Safe-Designed Industrial Trucks Reduce
Accidents, Protect Drivers.
Material Handling Engineering
v. 24 #3 (March 1969): 95-99.

0189 Horrigan, George
Safety in MH: Happiness is a Good Driver Training Program.
Material Handling Engineering
v. 24 #3 (March 1969): 91-94.

0190 Society of Automotive Engineers
Seat Belts for Construction Equipment.
SAE J386
Warrendale, PA, Society of Automotive Engineers, approved March 1969.

0191 Anonymous
Fork Lift by Any Other Name.
National Safety News
v. 99 #4 (April 1969): 22.

0192 Anonymous
Fork-Lift Accident Checklist.
National Safety News
v. 99 #4 (April 1969): 77.

0193 Anonymous
Tilt
National Safety News
v. 99 #4 (April 1969): 23.

0194 Barbaro, Gaspare
Winning the Safety Game in Storage Operations.
National Safety News
v. 99 #4 (April 1969): 84-87.

0195 Society of Automotive Engineers
Critical Zone: Characteristics and Dimensions for Operators of
Construction and Industrial Machinery.
SAE J397
Warrendale, PA, Society of Automotive Engineers, approved July 1969.

0196 United States of America Standards
Safety Standard for Powered Industrial Trucks.
USAS B56-1-1969
New York, American Society of Mechanical Engineers,
approved by the United States of America Standards Association
September 10, 1969.

0197 Harrison, W. J. and D. G. Harvey
Disc Brakes for Walkie Hand Trucks.
Allis-Chalmers Engineering Review
v. 35 #2 (1970): 18-19.

0198 National Safety Council
Powered Hand Trucks.
NSC Data Sheet 317 Revision A
Chicago, National Safety Council, 1970.

0199 Carliss, Oswald S.
Designing and Testing to Meet Safety Code Requirements for
Powered Industrial Trucks.
SAE 700167
Warrendale, PA, Society of Automotive Engineers, January 1970.

0200 Kuepfer, M. Charles
Extracting Data from the Agile Fork Truck.
SAE 700166
Warrendale, PA, Society of Automotive Engineers, January 1970.

0201 Society of Automotive Engineers
Operator Enclosures (Cabs): Human Factor Design Considerations.
SAE J154
Warrendale, PA, Society of Automotive Engineers, approved February 1970.

0202 Maki, Shin, Hiromichi Uchiyama and Katsuzi Oyama
Automatic Falling Occupant Protecting Net - Preliminary Study.
SAE 700452
Warrendale, PA, Society of Automotive Engineers, May 1970.

0203 Underwriters Laboratories, Inc.
Standard For Safety, Internal Combustion Engine-Powered Industrial Trucks.
UL 558-1970 3rd ed.
Chicago, Underwriters Laboratories, Inc., approved July 1970.

0204 Astley, R. W. and R. H. Lawton
Review of ISO and BSI Draft Proposals on Design Standards
for Powered Industrial Trucks.
Ergonomic Aspects of Fork Lift Truck Design, Part 1: Review of
Current Practice
Cranfield, Bedfordshire, England, Cranfield Institute of Technology,
National Materials Handling Centre, 1971, pp. 13-31.

0205 Astley, R. W. and R. H. Lawton
Review of Literature Relating to the Design and Operation of
Fork-Lift Trucks.
Ergonomic Aspects of Fork Lift Truck Design, Part 1: Review of
Current Practice
Cranfield, Bedfordshire, England, Cranfield Institute of Technology,
National Materials Handling Centre, 1971, pp. 1-9.

0206 Young, Michael R.
Industrial Truck Stability: Development of the Overload Control Valve.
Dissertation
Detroit, University of Detroit Graduate School, 1971.

0207 Army Mobility Equipment Command
Reliability Record for Gasoline-Engine-Driven Fork-Lift Truck Family.
NTIS ADA 054 892: B01-01-1-1095
Annapolis, MD, ARINC Research Corporation, January 1971.

0208 California (State of)
Disabling Work Injuries Involving Forklifts.
Work Injuries in California: IAQ-32
San Francisco, California Human Relations Agency,
Department of Industrial Relations, January 1971.

0209 Underwriters Laboratories, Inc.
Electric-Battery Powered Industrial Trucks.
UL 583-1971, 4th ed.
Chicago, Underwriters Laboratories Inc., January 1971.

0210 Drury, Cheryl Grazlis
Movements with Lateral Constraint.
Ergonomics
v. 14 #2 (February 1971): 293-305.

0211 Society of Automotive Engineers
Instrument Face Design and Location for Construction and
Industrial Equipment.
SAE J209
Warrendale, PA, Society of Automotive Engineers, approved March 1971.

0212 Anonymous
In-Plant Trucks and Carbon Monoxide.
National Safety News
v. 103 #4 (April 1971): 50.

0213 Anonymous
Industrial Truck Accidents Surveyed.
National Safety News
v. 107 #4 (April 1971): 41-43.

0214 Anonymous
Making Materials Handling Operations Safe - Three Ways.
National Safety News
v. 103 #4 (April 1971): 44-49.

0215 Occupational Safety and Health Administration
Material Handling Equipment.
29 CFR 1926.602, effective April 24, 1971
Washington, Occupational Safety and Health Administration,
as published in 29 CFR Part 1926, revised July 1, 1989.

0216 Occupational Safety and Health Administration
Motor Vehicles, Mechanized Equipment, and Marine
Operations (Subpart O).
29 CFR 1926.600-1926.602, effective April 24, 1971
Washington, Occupational Safety and Health Administration,
as published in 29 CFR Part 1926, revised July 1, 1992.

0217 Society of Automotive Engineers
Minimum Performance Criteria for Falling Object Protective Structures (FOPS).
SAE J231
Warrendale, PA, Society of Automotive Engineers, approved May 1971.

0218 Mine Safety and Health Administration
Mobile Equipment: Automatic Warning Devices.
30 CFR 77.410, effective May 22, 1971
Washington, Mine Safety and Health Administration, as published in 30 CFR,
revised July 1, 1978, p. 552.

0219 Howarth, C. I., W. D. A. Beggs and J. M. Bowden
Relationship Between Speed and Accuracy of Movement Aimed at a Target.
Acta Psychologica
v. 35 #3 (May-June 1971): 207-218.

0220 National Safety Council
Lift Truck Accident.
National Safety Council Automotive and Machine Shop Section Safety
Newsletter
(June 1971): 1 p.

0221 Department of Defense
Military Specification: Interim Amendment: Trucks, Lift, Fork,
Gasoline: General Specifications For.
MIL-T-21870 Amendment 2 (ME)
Washington, Department of Defense, June 25, 1971.

0222 Occupational Safety and Health Administration
Materials Handling and Storage (Subpart N): Powered Industrial Trucks.
29 CFR 1910.178, effective August 27, 1971
Washington, Occupational Safety and Health Administration,
as published in OSHA 2206, revised January 1976.

0223 Occupational Safety and Health Administration
Powered Industrial Trucks.
29 CFR 1910.178, effective August 27, 1971
Washington, Occupational Safety and Health Administration,
as published in the Federal Register v. 36 #105 (May 29, 1971):
10466-10467; 10613-10617.

0224 California (State of)
Public Hearing for the Purpose of Considering the Adoption of the Proposed
Revision of Group 3, General Mobile Equipment and Auxiliaries, Article 22,
Industrial Trucks, Tractors, Haulage Vehicles, and Earthmoving Equipment of the
General Industry Safety Orders.
Transcript of Proceedings, Los Angeles, August 31, 1971
Los Angeles, California Department of Industrial Relations,
Division of Industrial Safety, 1971.

0225 Staab, J. E.
Development of ROPS Criteria for Construction and Industrial Vehicles.
SAE 710692
Warrendale, PA, Society of Automotive Engineers, September 1971.

0226 California (State of)
Public Hearing for the Purpose of Considering the Adoption of the Proposed
Revision of Group 3, General Mobile Equipment and Auxiliaries, Article 22,
Industrial Trucks, Tractors, Haulage Vehicles
and Earthmoving Equipment of the General Industry Safety Orders.
Transcript of Proceedings, San Francisco, September 2, 1971
Los Angeles, California, Department of Industrial Relations,
Division of Industrial Safety, 1971.

0227 Wiedenheft, Don
Weld Technique Gives Mast A Lift.
Welding Engineer
v. 56 #12 (December 1971): 22-24.

0228 Bowman, Daniel
Driver Training and Safety.
Lift Trucks: A Practical Guide for Buyers & Users
West Hanover, MA, Cahners Publishing Company, Inc., 1972,
chapter 7, pp. 96-103.

0229 Bowman, Daniel
Lift Trucks: A Practical Guide for Buyers and Users.
Boston, Cahners Books, 1972.

0230 Factory Mutual Engineering Corporation
Lift Truck Losses.
Loss Prevention Data Sheet 10-5
Norwood, MA, Factory Mutual Engineering, January 1972.

0231 Anonymous
What OSHA Says About Materials Handling.
National Safety News
v. 105 #3 (March 1972): 140-152.

0232 Downing, T. R. and W. J. Harrison
Computer Selection for Lift Truck Safety.
Allis-Chalmers Engineering Review
v. 30 #1 (January/March 1972): 12-16.

0233 Underwriters Laboratories, Inc.
Industrial Trucks, Internal Combustion Engine-Powered.
UL 558-1972, 4th ed. (ANSI B56.4-1972)
Chicago, Underwriters Laboratories Inc., April 1972, approved
by the American National Standards Institute April 7, 1972.

0234 Anonymous
Computerized Lift Trucks.
National Safety News
v. 105 #5 (May 1972): 68-70.

0235 Karazija, Arvin
Engineers Face New Test Codes for Lift Truck Overhead Guards.
Allis-Chalmers Engineering Review
v. 37 #4 (October/December 1972): 24-27.

0236 Astley, R. W. and J. G. Fox
Safety Devices.
Ergonomic Aspects of Fork Lift Truck Design, Part 2: Data for
Control Layout
Cranfield, Bedfordshire, England, Cranfield Institute of Technology,
National Materials Handling Centre, 1973, section 14, pp. 190-194.

0237 Jensen, Lester K.
Safety in Industrial Truck Operations.
National Safety Congress 1973 v. 25: Wood Products Sessions.
Chicago, National Safety Council, 1973, pp. 19-24.

0238 Anonymous
Lift Truck Operator Certification Program.
National Safety News
v. 107 #4 (April 1973): 83-84.

0239 Anonymous
OSHA and Materials Handling: The First Two Years.
Modern Materials Handling
v. 28 #4 (April 1973): 40-43.

0240 Anonymous
OSHA and Industrial Trucks.
National Safety News
v. 107 #4 (April 1973): 80-82.

0241 Anonymous
Transport: Fork-lift Trucks.
Accidents at Factories, Offices, Shops, Docks and Construction Sites
London, Her Majesty's Stationery Office, April 1973, pp. 33-35.

0242 Carliss, Oswald S. and W. W. Olsen
OSHA Factors in the Design of Materials Handling Equipment.
ASME 73-DE-30.
New York, American Society of Mechanical Engineers, April 9, 1973.

0243 Anonymous
OSHA's Material Handling Standards: What You Must Do To Comply.
Occupational Hazards
(May 1972): 51-54, 57-59.

0244 Washington (State of)
Powered Industrial Trucks.
General Safety and Health Standards, chapter 296-24-230, sections
96-24-230 to 296-24-23035, orders 73-4, filed May 7, 1973,
and 73-5, filed May 9, 1973
Olympia, WA, Department of Labor and Industries, Division of
Industrial Safety & Health, revised August 30, 1979.

0245 Society of Automotive Engineers
Operator Enclosures (Cabs): Human Factor Design Considerations.
SAE J154
Warrendale, PA, Society of Automotive Engineers, approved
February 1970, editorial change June 1973.

0246 National Safety Council
Fork-Lift Truck Fatality.
National Safety Council Automotive and Machine Shop
Section Safety Newsletter
(July 1973): 1 p.

0247 Society of Automotive Engineers
Deflection Limiting Volume for Laboratory Evaluation of Rollover
Protective Structures (ROPS) and Falling Object Protective Structures
(FOPS) of Construction and Industrial Vehicles.
SAE J397a
Warrendale, PA, Society of Automotive Engineers, revised
January 1972, editorial change July 1973.

0248 Society of Automotive Engineers
Minimum Performance Criteria for Falling Object Protective
Structure (FOPS).
SAE J231
Warrendale, PA, Society of Automotive Engineers, approved
May 1971, editorial change July 1973.

0249 American Society of Mechanical Engineers
Forks and Fork Carriers For Powered Industrial Fork Lift
Trucks.
ANSI MH11.4-1973
New York, American Society of Mechanical Engineers, 1974,
approved by the American National Standards Institute August 1, 1973.

0250 Ekstrom, George A. and Michael R. Young
Industrial Lift Truck Capacity Limiting System.
SAE 730833
Warrendale, PA, Society of Automotive Engineers, September 1973.

0251 Hopler, Paul D. and William O. Stewart
Design and Installation of ROPS for Army Retrofit Program.
SAE 730752
Warrendale, PA, Society of Automotive Engineers, September 1973.

0252 Society of Automotive Engineers
Minimum Performance Criteria for Falling Object Protective Structure (FOPS) for
Industrial Equipment.
SAE J1043
Warrendale, PA, Society of Automotive Engineers, approved September 1973.

0253 Footlik, Irving and Robert Footlik
Fundamentals of Material Handling: Selection Factors for Specialty Racks.
Plant Engineering
v. 27 (October 4, 1973): 115-118.

0254 Anonymous
Reducing Hazards in Industrial Truck Operation.
Modern Materials Handling
v. 28 #11 (November 1973): 60-67.

0255 Society of Automotive Engineers
Seat Belts for Construction Equipment.
SAE J386a
Warrendale, PA, Society of Automotive Engineers, revised November 1973.

0256 National Fire Protection Association
Type Designations, Areas of Use, Maintenance and Operation
of Powered Industrial Trucks.
NFPA 505 1973 (ANSI B56.2)
Boston, National Fire Protection Association, 1973, approved
by the American National Standards Institute, November 15, 1973.

0257 Drury, C. G. and P. Dawson
Human Factors Limitations in Fork-Lift Truck Performance.
Ergonomics
v. 17 #4 (1974): 447-56.

0258 Evans, D. W.
Safety Testing of Fork Lift Trucks.
SAE 740709
Warrendale, PA, Society of Automotive Engineers, 1974.

0259 McPeck, John S.
Summary Analysis of Powered-Industrial-Truck Accidents.
Madison, Wisconsin Department of Industry, Labor and
Human Relations, c. 1974.

0260 National Safety Council
Liquefied Petroleum Gases for Industrial Trucks.
NSC Data Sheet 479 Revision B (Extensive)
Chicago, National Safety Council, 1974.

0261 National Safety Council
Powered Industrial Trucks.
Accident Prevention Manual for Industrial Operations, 7th ed.
Chicago, National Safety Council, 1974, pp. 740-761.

0262 Printing Industry of Illinois Association
Powered Industrial Trucks: Pre-Operational Requirements.
Graphic Arts Guide to Occupational Safety and Health Act
(OSHA) Chicago, Printing Industry of Illinois Association, January 1974.

0263 Society of Automotive Engineers
Force-Deflection Measurements of Seat and Back Cushions
for Agricultural, Construction, and Industrial Equipment.
SAE J1051
Warrendale, PA, Society of Automotive Engineers, approved January 1974.

0264 Society of Automotive Engineers
Operator Protection for Industrial Equipment.
SAE J1042
Warrendale, PA, Society of Automotive Engineers, January 1974.

0265 Gavan, G. R.
Roll Over Protective Structure (ROPS) Design, Analysis and
Test for the Military 6000-LB. Rough Terrain Forklift Truck.
Report 684-F-1: AD 774 303
Redlands, CA, Lockheed Propulsion Company, January 15, 1974.

0266 Army
Safety Inspection and Testing of Lifting Devices.
Department of the Army Technical Bulletin TB 43-0142
Washington, Department of the Army, February 8, 1974, 13 pp.

0267 Bergonia, Leonard L., and Charles T. Evans
Keep Modern Lift Truck Safety Features in Mind.
Allis-Chalmers Engineering Review
v. 39 #1 (January/March 1974): 24-28.

0268 Evans, Charles T. and Frederick A. Stich
New Lift Trucks Capitalize on Electronics Advances.
Allis-Chalmers Engineering Review
v. 39 #1 (January/March 1974): 7-10.

0269 Finlayson, T. J.
Lift Truck Development Heralds Future Possibilities.
Allis-Chalmers Engineering Review
v. 39 #1 (January/March 1974): 4-6.

0270 Karazija, Arvin
Lift Truck Features Proven Through Extensive Testing.
Allis-Chalmers Engineering Review
v. 39 #1 (January/March 1974): 16-19.

0271 Rouch, K. E., K. S. Joung, and D. A. Matthews
Structural Analysis of Mast by Finite Element Technique.
Allis-Chalmers Engineering Review
v. 39 #1 (January/March 1974): 20-23.

0272 Anonymous
Inch-Pound Controls: Most Stable Lift Trucks Yet!
Modern Materials Handling
v. 29 #4 (April 1974): 52-53, 55.

0273 Occupational Safety and Health Administration
Motor Vehicles, Mechanized Equipment, and Marine Operations (Subpart O):
General Requirements [and] Material Handling Equipment.
29 CFR 1926.600, 1926.602(c), effective April 24, 1971
Washington, Occupational Safety and Health Administration,
as published in 37 FR (December 16, 1972): 27550-27551.

0274 Anonymous
Take a Load Off Your Driver's Mind.
Mechanical Handling
v. 61 #5 (May 1974): 72.

0275 Drury, Cheryl Grazlis and M. C. Cardwell
Effects of Depth Perception on Performance of Simulated
Materials Handling Tasks.
Ergonomics
v. 17 #5 (May 1974): 677-690.

0276 Society of Automotive Engineers
Control Locations for Construction and Industrial Design.
SAE J898a
Warrendale, PA, Society of Automotive Engineers, approved June 1974.

0277 Washington (State of)
Motor Vehicles, Mechanized Equipment, and Marine
Operations (Part M).
Safety Standards for Construction Work, chapter 296 155
WAC, sections 296-155-600 to WAC 296-155-615, order 75-
26, filed May 7, 1974, effective June 6, 1974.
Olympia, WA, Department of Labor and Industries, Division of
Industrial Safety and Health, effective June 6, 1974.

0278 Occupational Safety and Health Administration
Mechanically-Powered Vehicles Used Aboard Vessels.
29 CFR 1918.73, effective June 19, 1974
Washington, Occupational Safety and Health Administration,
as published in 29 CFR Parts 1911 to 1919, revised July 1, 1983.

0279 Occupational Safety and Health Administration
Powered Industrial Trucks.
29 CFR 1910.178, effective June 27, 1974
Washington, Occupational Safety and Health Administration,
as published in the Federal Register v. 39 #125 (June 27, 1974): 23693-23697.

0280 Mine Safety and Health Administration
Mobile Equipment: Falling Object Protective Structures (FOPS).
30 CFR 77.403, effective June 28, 1974
Washington, Mine Safety and Health Administration, as published in 30 CFR
Parts 1 to 199, revised July 1, 1990, pp. 630-633.

0281 Mine Safety and Health Administration
Mobile Equipment: Falling Object Protective Structures (FOPS).
30 CFR 77.403, effective June 28, 1974
Washington, Mine Safety and Health Administration, as published in 30 CFR,
revised July 1, 1978, pp. 548-549.

0282 Anonymous
Safety Begins at the Receiving Dock.
National Safety News
(July 1974): 81.

0283 Evans, D. W.
Safety Testing of Fork Lift Trucks.
SAE 740709
Warrendale, PA, Society of Automotive Engineers, September 1974.

0284 Gearhart, John
Powered Industrial Trucks.
National Safety Council Fertilizer Section Safety Newsletter
(November 1974): 1-2.

0285 International Organization for Standardization
Fork Lift Trucks - Hook-on Type Fork Arms - Vocabulary.
ISO 2331, 1st ed.
Geneva, Switzerland, International Organization for
Standardization, December 15, 1974.

0286 International Organization for Standardization
Reach and Straddle Fork Lift Trucks - Stability Tests.
ISO 3184, 1st ed.
Geneva, Switzerland, International Organization for
Standardization, December 15, 1974.

0287 Abels, Theodor
New Linde Fork-Lift Trucks for Large Loads.
Linde Reports on Science and Technology
#21 (1975): 11-19.

0288 National Fire Protection Association
Fire Safety Standard for Powered Industrial Trucks, Including
Type Designations and Area of Use.
NFPA 505 1975 (ANSI B56.2)
Boston, MA, National Fire Protection Association, 1975.

0289 National Safety Council
Forklift Truck Operators Training Course: Administrator's Guide.
Chicago, National Safety Council, 1975.

0290 National Safety Council
Forklift Truck Operators Training Course: Outline and Lesson
Plan for Instructors.
Chicago, National Safety Council, 1975.

0291 National Safety Council
Forklift Truck Operators Training Course: Trainee Workbook.
Chicago, National Safety Council, 1975.

0292 National Safety Council
Powered Hand Trucks [and] Powered Industrial Trucks.
Handbook of Occupational Safety and Health
Chicago, National Safety Council, 1975, pp. 162-165.

0293 Stuhr, Hans-Waldemar
Operation Analysis.
Linde Reports on Science and Technology
#21 (1975): 20-31.

0294 Schaefer, James C.
Characteristics of the Carb Tek Molten Salt Battery.
SAE 750148
Warrendale, PA, Society of Automotive Engineers, February 1975.

0295 Shelley, E. I.
Weighing Loads in Transit.
Plant Engineering
v. 29 #4 (February 20, 1975): 89-91.

0296 Gavan, G. R.
Rollover Protective Structure (ROPS) Design, Analysis and Test
for the Military 10,000 LB Rough Terrain Forklift Truck.
Report 684-F-4: AD 0008 080
Redlands, CA, Lockheed Propulsion Company, March 1975.

0297 Anonymous
Using an Electro-Magnet on a Fork-Lift Truck.
Foundry Trade Journal
v. 138 #3039 (March 6, 1975): 313-314.

0298 Bergonia, Leonard L.
Lift Trucks Feature Safety Innovations.
National Safety News
v. 112 #1 (April 1975): 61-65.

0299 Campbell, Charles E.
Total Responsibility: An Industrial Fork Lift Operator's Improvement Program.
National Safety News
v. 111 #4 (April 1975): 68-70.

0300 Factory Mutual Engineering Corporation
Industrial Trucks.
Loss Prevention Data Sheet 7-39
Norwood, MA, Factory Mutual Engineering Corporation, April 1975.

0301 National Safety Council
Versatile Lift Truck - Industry's Modern Work Horse.
National Safety News
v. 111 #4 (April 1975): 66-67.

- 0302 Occupational Safety and Health Administration
Powered Industrial Trucks.
29 CFR 1910.178, effective June 27, 1974, amended May 28,
1975 Washington, Occupational Safety and Health Administration, as published
in the Federal Register v. 42 #239 (December 14, 1977): 62810-62812.
- 0303 Anonymous
Heavy Equipment.
Industrial Design
v. 22 #3 (May/June 1975): 37-41.
- 0304 American Society of Mechanical Engineers
Safety Standard for Powered Industrial Trucks: Low Lift and High Lift Trucks.
ANSI/ASME B56.1-1975
New York, American Society of Mechanical Engineers,
approved by the American National Standards Institute June 19, 1975.
- 0305 Anonymous
Lift Truck Safety Training Program.
National Safety News
v. 111 (July 1975): 49-52.
- 0306 Anonymous
Powered Hand Trucks.
National Safety News
v. 111 (July 1975): 53-57.
- 0307 Gavan, G. R.
Rollover Protective Structure (ROPS), Design, Analysis and
Test of an Improved ROPS For the Military 6000-Pound Rough Terrain Forklift
Truck and a Feasibility Study of ROPS for the Military 20-Ton Rough Terrain
Crane.
Report 684-F-5
Redlands, CA, Lockheed Propulsion Company, July 1975.
- 0308 Hyster Company
OSHA Occupational Safety & Health Act of 1970: What It Means to the Owners
of Powered Industrial Trucks.
Portland, OR, Hyster Company, July 1975.
- 0309 Society of Automotive Engineers
Categories of Off-Highway Self-Propelled Work Machines.
SAE J1116
Warrendale, PA, Society of Automotive Engineers, approved July 1975.
- 0310 Society of Automotive Engineers
Steel Products for Rollover Protective Structures (ROPS) and Falling Object
Protective Structures (FOPS).
SAE J1119
Warrendale, PA, Society of Automotive Engineers, approved July 1975.
- 0311 International Organization for Standardization
Industrial Trucks - Wheels and Castors - Vocabulary.
ISO 2163, 1st ed.
Geneva, Switzerland, International Organization for
Standardization, July 15, 1975.
- 0312 International Organization for Standardization
Powered Industrial Trucks - Control Symbols.
ISO 3287, 1st ed.
Geneva, Switzerland, International Organization for
Standardization, July 15, 1975.
- 0313 International Organization for Standardization
Fork Lift Trucks - Fork Arms - Technical Characteristics and
Testing. ISO 2330, 1st ed.
Geneva, Switzerland, International Organization for
Standardization, August 1, 1974.
- 0314 Rice, Robert S.
Industrial Trucks - An IE Special Report.
Industrial Engineering
v. 7 (September 1975): 20-37.
- 0315 Anonymous
Operator Training: OSHA's Hidden Failure. How You Can Correct It.
Modern Materials Handling
v. 30 #10 (October 1975): 45-60.
- 0316 Ito, Yoshinori, T. Sarumanu and Naoto Ikeya
Automatic Steering of Rear-Wheel-Steered Fork Lift.
Bulletin of the JSME
v. 18 #124 (October 1975): 1109-1116.
- 0317 International Organization for Standardization
Counterbalanced Lift Trucks - Stability - Basic Tests.
ISO 1074, 1st ed.
Geneva, Switzerland, International Organization for
Standardization, October 15, 1975.
- 0318 International Organization for Standardization
Industrial Tractors - Definition and Nominal Rating.
ISO 1084, 1st ed.
Geneva, Switzerland, International Organization for
Standardization, October 15, 1975.
- 0319 Hesse, H., G. Olbrich and A. Lee Gustafson
Analysis of Energy Usage in Fork Lift Trucks.
National Conference on Fluid Power, October 21-23, 1975
Chicago, Illinois Institute of Technology, 1975, pp. 687-699.
- 0320 National Safety Council
Industrial Truck Safety Procedures Series (Part I).
National Safety Council Automotive, Tooling, Metalworking,
and Associated Industries Section Safety Newsletter (November 1975): 1-3.
- 0321 Anonymous
Detective Work Solves Case of the Corroding Needles.
National Safety News
v. 112 #6 (December 1975): 69-70.
- 0322 Ryan, K. and R. Rogers
Load-Compensated Lift Control Improves Fork Lift
Performance.
Hydraulics and Pneumatics
v. 28 #12 (December 1975): 56-57.
- 0323 Gottlieb, Mark S.
Worker's Awareness of Industrial Hazards: An Analysis of
Hazard Survey Results from the Paper Mill Industry.
Madison, Wisconsin Department of Industry, Labor and Human Relations, 1976.
- 0324 Jungheinrich
Stability of Lift Trucks While Turning (Draft for the D.I.N.
Committee). [In German with English translation]
Jungheinrich Technische Information Form 303.
No location, Jungheinrich, 1976, English translation done May 20, 1977).
- 0325 National Safety Council
Dock Plates and Gangplanks.
NSC Data Sheet 319
Chicago, National Safety Council, 1976.
- 0326 Anonymous
Rough Terrain Forklifts: Some Tips from the Military.
Mechanical Handling
v. 63 #1 (January 1976): 18.
- 0327 National Safety Council
Industrial Truck Safety (Part II).
National Safety Council Automotive, Tooling, Metalworking,
and Associated Industries Section Safety Newsletter January 1976): 1-4.
- 0328 Goodman, B. G.
Does Your Battery Charging Room Conform to OSHA's Regulations?
National Safety News
v. 113 (February 1976): 51-54.
- 0329 National Safety Council
Industrial Truck Safety (Part III).
National Safety Council Automotive, Tooling, Metalworking,
and Associated Industries Section Safety Newsletter (February 1976): 1-3.
- 0330 Woodward Associates, Inc.
Design Criteria and Guidelines for Falling Object Protective
Structures (FOPS).
NTIS PB-259 254
Redlands, CA, Woodward Associates, Inc., February 20, 1976.
- 0331 Anonymous
Take the Extra Step for Materials Handling and Storage.
National Safety News
v. 113 #3 (March 1976): 95-104.
- 0332 National Safety Council
Industrial Truck Safety (Part IV).
National Safety Council Automotive, Tooling, Metalworking,
and Associated Industries Section Safety Newsletter (March 1976): 1-4.
- 0333 Department of Defense
Military Specification Sheet: Truck, Lift, Fork, Diesel,
Pneumatic Tires, 20,000 Pound Capacity, 210 Inch Lift, General Purpose.
MIL-T-21868/6A, superseding MIL-T-21868/6 1967
Washington, Department of Defense, March 15, 1976.
- 0334 Berge, Kenneth H.
Maintaining Fork Lift Trucks: Basic Procedures for Gas Vehicles.
Plant Engineering
v. 30 #7 (April 1, 1976): 65-68.
- 0335 Society of Automotive Engineers
Minimum Performance Criteria for Falling Object Protective Structure (FOPS).
SAE J231
Warrendale, PA, Society of Automotive Engineers, approved
May 1971, editorial change May 1976.
- 0336 Anonymous
Attachments: A Critical Trade-off.
Modern Materials Handling
v. 31 (Spring 1976): 36-37.
- 0337 Anonymous
Counterbalanced Trucks: The Key Points to Consider.
Modern Materials Handling Special Issue - Industrial Truck Applications
v. 32 (Spring 1976): 30-35.
- 0338 Anonymous
Orderpicking Trucks: A Tool for Higher Output.
Modern Materials Handling
v. 31 (Spring 1976): 44-46.
- 0339 Anonymous
Side Loaders: Loads Both Long and Heavy.
Modern Materials Handling
v. 31 (Spring 1976): 43.
- 0340 Coleman, Patrick J. and Karl U. Smith
Hazard Management: Research in Occupational Safety & Health:
Preventive Approaches to Industrial Injuries & Illnesses.
Madison, Wisconsin Department of Industry, Labor and
Human Relations, July 1976.
- 0341 Hart, Joseph W.
At Last, a Meaningful Study of Industrial Truck Accidents!
Materials Handling
v. 31 #7 (July 1976): 44-45.
- 0342 Anonymous
Lift Truck Attachments.
Material Handling Engineering
v. 31 #8 Reference #14 (August 1976): 46-47.
- 0343 Ellingson, Edward F.
Systemic Approach to Noise Reduction of Army Fork Lift Trucks.
SAE 760600
Warrendale, PA, Society of Automotive Engineers, August 1976.
- 0344 National Safety Council
NSC Offers Forklift Training Course.
National Safety Council Automotive, Tooling, Metalworking,
and Associated Industries Section Safety Newsletter
(August 1976): 1 p.
- 0345 Society of Automotive Engineers
Steel Products for Rollover Protective Structures (ROPS) and
Falling Object Protective Structures (FOPS).
SAE J1119
Warrendale, PA, Society of Automotive Engineers, approved
July 1975, editorial change September 1976.
- 0346 Trueheart, Tom
Ten Most Dangerous Animals in Liftruckland.
Automation
(November 1976): 56-59.
- 0347 Kulwiec, Ray
Lift Truck Specifications Chart.
Plant Engineering
v. 30 #23 (November 11, 1976): 134-147.
- 0348 Department of Defense
Trucks, Lift, Fork, Diesel-Engine-Driven: Pneumatic-Tired,
Rough Terrain: General Specification For.
MIL-T-52843A, superseding MIL-T-52843/GEN 1975
Washington, Department of Defense, November 29, 1976.
- 0349 Berge, Kenneth H.
Maintaining Fork Lift Trucks: Basic Procedures for Electric Vehicles.
Plant Engineering
v. 30 #25 (December 9, 1976): 145-147.
- 0350 A. M. Best Company
Ordinary Materials Handling: In-Plant Trucks. OSHA
Requirements for Powered Industrial Trucks.
Best's Safety Directory, 17th ed.
Oldwick, NJ, A. M. Best Company, 1977, pp. 476-480.
- 0351 Aaronson, S. F.
Industrial Truck Safety and Reliability Considerations.
ASME 77-RC-7
New York, American Society of Mechanical Engineers, 1977.
- 0352 National Safety Council
Dock Plates and Gangplanks.
NSC Data Sheet 318 Revision A
Chicago, National Safety Council, 1977.
- 0353 National Safety Council
Powered Industrial Lift Trucks.
NSC Data Sheet I-653-77
Chicago, National Safety Council, 1977.
- 0354 Ohio, Industrial Commission, Division of Safety & Hygiene
Ohio, Forklift, Hy-Lift, Lumber Stacker, Hyster, Towmotor
(Agency Code 5206) 1977 Accident Statistics.
Columbus, Ohio Industrial Commission, Division of Safety & Hygiene, 1977.
- 0355 Partridge, H.
How to Minimize Fork Truck Accidents and Reduce Operating Costs.
Industrial Safety Handbook, 2nd ed., William Handley, ed.
London, McGraw-Hill Book Company (UK) Ltd., 1977, pp. 260-266.
- 0356 Anonymous
Why You Should Take Another Look at Lift Truck Cabs.
Modern Materials Handling
v. 32 #1 (January 1977): 66-69.
- 0357 Anonymous
Improving Industrial Truck Performance.
Plant Engineering
v. 31 #2 (January 20, 1977): 133-135.
- 0358 International Organization for Standardization
Industrial Trucks - Inspection and Repair of Fork Arms in Service on Fork Lift
Trucks.
ISO Technical Report 5057
Geneva, Switzerland, International Organization for Standardization,
February 15, 1977.
- 0359 Ryan, E. W.
Lift Truck Attachments: A Review of Types and Selection Factors.
Plant Engineering
v. 31 #5 (March 3, 1977): 67-69.
- 0360 Bowman-Shaw, T., R. Sadler and D. Harper
Where Stands the Fork Lift Truck Today?
Chartered Mechanical Engineer
v. 24 #4 (April 1977): 55-58.
- 0361 Straker, E.
They've Got a Brand New Combined Handler.
Materials Handling News
#233 (April 1977): 98-99.
- 0362 Laird, Roly
Emphasis on Versatility.
Engineer
v. 244 #6317 (April 21, 1977): 46-47.
- 0363 Anonymous
Attachments and Accessories: Getting an Extra in Performance.
Modern Materials Handling Special Issue - Industrial Truck
Applications
v. 32 (Spring 1977): 60-65.
- 0364 Anonymous
Attachments: Tools for Specialized Jobs.
Material Handling Engineering Special Issue - Industrial Truck
Applications
v. 32 (Spring 1977): 54-55.
- 0365 Anonymous
Counterbalanced Lift Trucks: Improvements are Here.
Material Handling Engineering Special Issue - Industrial Truck
Applications
v. 32 (Spring 1977): 28-30.
- 0366 Anonymous
Lift Truck Controls: Power Savings Abound.
Material Handling Engineering Special Issue - Industrial Truck Applications
v. 32 (Spring 1977): 38-40.
- 0367 Anonymous
Lift Truck Engines: Trends in Design.
Material Handling Engineering Special Issue - Industrial Truck Applications
v. 32 (Spring 1977): 34-35.
- 0368 Anonymous
Lift Truck Tires: Basic Facts and Trends.
Material Handling Engineering Special Issue - Industrial Truck Applications
v. 32 (Spring 1977): 60-62.
- 0369 Anonymous
Narrow Aisle Trucks: Going Higher, Working Harder.
Material Handling Engineering Special Issue - Industrial Truck Applications
v. 32 (Spring 1977): 44-45.
- 0370 Anonymous
Orderpicker Trucks: There's a Type for Every System.
Material Handling Engineering Special Issue - Industrial Truck Applications
v. 32 (Spring 1977): 42-43.
- 0371 Anonymous
Tugs and Tractors: To Drive or Program?
Material Handling Engineering Special Issue - Industrial Truck Application
v. 32 (Spring 1977): 56-57.
- 0372 Army Corps of Engineers
Machinery and Mechanized Equipment.
General Safety Requirements Manual, EM 385-1-1
Washington, Army Corps of Engineers, June 1, 1977, section XVIII, pp. 95-103.
- 0373 Society of Automotive Engineers
Center of Gravity Test Code.
SAE J874a
Warrendale, PA, Society of Automotive Engineers, revised
February 1968, editorial change June 1977.
- 0374 Society of Automotive Engineers
Gradeability Test Code.
SAE J950
Warrendale, PA, Society of Automotive Engineers, approved
May 1966, editorial change June 1977.
- 0375 Society of Automotive Engineers
Labeling of ROPS and FOPS.
SAE J1164
Warrendale, PA, Society of Automotive Engineers, approved
April 1977, editorial change June 1977.
- 0376 Lovested, Gary E.
Top Ten Fork-Lift Truck Accidents.
National Safety News
v. 116 #3 (September 1977): 123-127.
- 0377 American Society of Mechanical Engineers
Personnel and Burden Carriers - Draft.
ANSI/ASME B56.8-1977 DRAFT
New York, American Society of Mechanical Engineers, October 1977.
- 0378 Canadian Standards Association
Low Lift and High Lift Trucks.
CSA B335.1-1977
Rexdale, Ontario, Canadian Standards Association, October 1977.

0379 International Organization for Standardization
Fork Lift Trucks – Hook-on Type Fork Arms and Fork Carriers –Mounting Dimensions.
ISO 2328, 1st ed.
Geneva, Switzerland, International Organization for Standardization, October 1, 1977.

0380 Wells, Nathaniel H.
Fork Lift Training Pays Big Dividends.
Industrial Supervisor
v. 41 #11 (November 1977): 11-13.

0381 California (State of)
Proposed Revisions to General Industry Safety Orders, Article 25, Industrial Trucks.
Public Hearing/Meeting of the Occupational Safety and Health Standards Board, December 14, 1977
Sacramento, Occupational Safety and Health Standards Board, 1977.

0382 Buck, Ken
Walkie Lift Trucks
Plant Engineering
v. 31 #26 (December 22, 1977): 60-64.

0383 Underwriters Laboratories, Inc.
Standard for Electric, Battery-Powered Industrial Trucks.
ANSI/UUL 583-1977 7th ed.
Northbrook, IL, Underwriters Laboratories, Inc., December 27, 1977, revised June 1, 1982 and July 31, 1984.

0384 Coleman, Patrick J. et al.
Powered Industrial Trucks.
Human Factors Analysis of Materials Handling Equipment
Madison, Wisconsin Department of Industry, Labor and Human Relations, 1978, chapter 4.

0385 MacCollum, David V.
How Safe the Lift?
Proceedings of the Human Factors Society, 22nd Annual Meeting Santa Monica, CA, Human Factors Society, 1978, pp. 145-149.

0386 National Fire Protection Association
Fire Safety Standard for Powered Industrial Trucks, Including Designations, Areas of Use, Maintenance and Operation.
NFPA 505 1978 (ANSI B56.2)
Boston, National Fire Protection Association, 1978.

0387 Ohio, Industrial Commission, Division of Safety & Hygiene
Ohio, Forklift, Hy-Lift, Lumber Stacker, Hyster, Towmotor (Agency Code 5206) 1978 Accident Statistics.
Columbus, Ohio Industrial Commission, Division of Safety & Hygiene, 1978.

0388 British Standards Institution
Specification for Counterbalanced Lift Trucks – Stability – Basic Tests.
BS 3726 1978 (ISO 1074-1975)
London, British Standards Institution, February 1978 (identical to ISO 1074-1975).

0389 National Institute for Occupational Safety and Health
Materials Handling and Storage.
DHEW (NIOSH) Publication #78-147: Health and Safety Guide for Manufacturers of Industrial Trucks and Tractors
Cincinnati, National Institute for Occupational Safety and Health, February 1978, pp. 1-7, 52-55.

0390 Stephens, James E. and Jesse W. Reid
Forklift Trucks, Gasoline-Engine Driven, 4000-to 6000-Pound-Capacity - Manufacturer Survey.
Report Z231, AD A055 416
Fort Belvoir, VA, Army Mobility Equipment Research and Development Command, February 1978.

0391 Stephens, James E. and Jesse W. Reid
Forklift Trucks, Gasoline-Engine-Driven, 4000- To 6000-Pound-Capacity: User Survey.
Report Z230, AD A053 770
Fort Belvoir, VA, Army Mobility Equipment Research and Development Command, February 1978.

0392 American Society of Mechanical Engineers
Industrial Loading Dockboards (Ramps).
ANSI/ASME MH14.1-1978
New York, American Society of Mechanical Engineers, approved by the American National Standards Institute February 15, 1978.

0393 Society of Automotive Engineers
Deflection Limiting Volume for Laboratory Evaluation of Rollover Protective Structures (ROPS) and Falling Object Protective Structures (FOPS) of Construction and Industrial Machinery. SAE J397a
Warrendale, PA, Society of Automotive Engineers, revised January 1972, editorial change March 1978.

0394 Chester, Frank B.
Economic Life of Fork Lift Trucks.
Wire Journal
v. 11 #4 (April 1978): 90-92.

0395 Society of Automotive Engineers
Categories of Off-Highway Self-Propelled Work Machines.
SAE J1116
Warrendale, PA, Society of Automotive Engineers, approved July 1975, editorial change April 1978.

0396 Anonymous
Underground Rough Terrain Forklifts for Standby Power.
Materials Handling News
#248 (July 1978): 45-47.

0397 Dempsey, Paul
Engine Overhaul.
How to Repair a Forklift Truck
Blue Ridge Summit, PA, Tab Books, July 1978, pp. 318-388.

0398 Dempsey, Paul
Hydraulics Repair.
How to Repair a Forklift Truck
Blue Ridge Summit, PA, Tab Books, July 1978, pp. 101-148.

0399 Dempsey, Paul
Maintenance Costs.
How to Repair a Forklift Truck
Blue Ridge Summit, PA, Tab Books, July 1978, pp. 11-41.

0400 Meagher, Stephen W.
In-Plant Lift and Transport: A Critical Analysis of Design.
Journal of Products Liability
v. 2 #3 (August 1978): 193-196.

0401 Stephens, James E. and Jesse W. Reid
Truck, Forklift, Gasoline-Engine-Driven, 4000-Pound-Capacity, Pneumatic-Tired: User Survey.
Report Z253, AD A067 089
Fort Belvoir, VA, Army Mobility Equipment Research and Development Command, August 1978.

0402 Anonymous
Off-Highway Hydraulic Noise.
Automotive Engineering
v. 86 #9 (September 1978): 34-40.

0403 International Organization for Standardization
Industrial Trucks Operating in Special Condition of Stacking with Mast Tilted Forward – Stability Tests.
ISO 5767, 1st ed.
Geneva, Switzerland, International Organization for Standardization, September 1, 1978.

0404 California (State of)
Industrial Trucks, Tractors, Haulage Vehicles, and Earthmoving Equipment, Article 25.
Title 8, California Administrative Code, Division of Industrial Safety, General Industry Safety Orders, sections 3649-3669
North Highlands, CA, Department of General Services, Office of Administrative Hearings, as revised in Revision Register 78, No. 36, September 9, 1978.

0405 National Institute for Occupational Safety and Health
Outline for Training: Powered Industrial Truck Operators.
NTIS PB83-174 912: DHEW (NIOSH) 78-199
Cincinnati, National Institute for Occupational Safety and Health, October 1978.

0406 American Society of Mechanical Engineers
Standard for Powered Industrial Trucks: Rough Terrain Fork Lift Trucks.
ANSI/ASME B56.6-1978 (Part III applies only to trucks manufactured after the effective date)
New York, American Society of Mechanical Engineers, approved by the American National Standards Institute May 19, 1978, effective October 15, 1978.

0407 Occupational Safety and Health Administration
Powered Industrial Trucks.
29 CFR 1910.178, effective June 27, 1974, amended May 28, 1975 and October 24, 1978.
Washington, Occupational Safety and Health Administration, as published in the Code of Federal Regulations Title 29 Part 1910, revised through July 1, 1983, pp. 410-419.

0408 Anonymous
How to Save Energy in Truck Operations.
Modern Materials Handling
v. 33 #11 (November 1978): 90-92.

0409 Anonymous
How to Spec an Outdoor Truck.
Modern Materials Handling
v. 33 #11 (November 1978): 101-104.

0410 Society of Automotive Engineers
Instrument Face Design and Location for Construction and Industrial Equipment.
SAE J209 APR80
Warrendale, PA, Society of Automotive Engineers, approved March 1971, editorial change April 1980.

0411 Bone, Geoff
Rough Terrain Trucks: Has the Bubble Burst?
Materials Handling News
#253 (December 1978): 45-55.

0412 Materials Handling Institute and Material Handling Equipment Distributors Association
Accidents Cost Everyone!
MH/IMHEDA Accident Prevention Program
Vernon Hills, IL, Material Handling Equipment Distributors Association, December 1978.

0413 Wolf, Ted
Guidelines: Fork Inspections and Maintenance.
Best's Safety Directory, 1979 ed.
Oldwick, NJ, A. M. Best Company, 1978, v. 2, pp. 919-921.

0414 American Society of Mechanical Engineers
Load Handling Symbols for Powered Industrial Trucks.
ANSI MH11.3-1978
New York, American Society of Mechanical Engineers, 1979, approved by the American National Standards Institute December 19, 1978.

0415 International Organization for Standardization
Pallet Stackers and High Lift Platform Trucks – Stability Tests.
ISO 5766, 1st ed.
Geneva, Switzerland, International Organization for Standardization, December 15, 1978.

0416 Health and Safety Executive
Safety in Working with Lift Trucks.
Health & Safety Booklet HS(G)6
London, Health and Safety Executive, 1979.

0417 Ohio, Industrial Commission, Division of Safety & Hygiene
Ohio, Forklift, Hy-Lift, Lumber Stacker, Hyster, Towmotor (Agency Code 5206) 1979 Accident Statistics.
Columbus, Ohio Industrial Commission, Division of Safety & Hygiene, 1979.

0418 Peters, Uwe Werner
Development Status and Experience of VARTA's Battery Systems Gained on Electric Vehicles Tested in West Germany Under Actual Operating Conditions.
SAE 790160
Warrendale, PA, Society of Automotive Engineers, 1979.

0419 Society of Automotive Engineers
Operator Enclosures Human Factor Design Considerations.
SAE J154a
Warrendale, PA, Society of Automotive Engineers, revised March 1979.

0420 Michigan (State of)
Powered Industrial Trucks (Part 21).
Michigan Safety Standards R408.12101 - R408.12193
Lansing, Michigan Department of Labor, General Industry Safety Standards Commission, filed December 28, 1970 (as amended October 25, 1972, November 1, 1974, October 28, 1976 and April 2, 1979).

0421 Ward, Daniel
Forklift Trucks: Searching for Quieter Diesels, Bigger Batteries.
Engineer
v. 248 #6422 (April 29, 1979): S9, S12-S13.

0422 Society of Automotive Engineers
Performance Prediction of Roll-Over Protective Structures (ROPS) Through Analytical Methods.
SAE J1215
Warrendale, PA, Society of Automotive Engineers, approved May 1979.

0423 Anonymous
Improvements and Refinements Expand the Role of Electric Lift Trucks.
Material Handling Engineering
v. 32 Special Issue (Spring 1979): 24-29.

0424 Society of Automotive Engineers
Deflection Limiting Volume: ROPS/FOPS Laboratory Evaluation.
SAE J397b
Warrendale, PA, Society of Automotive Engineers, revised June 1979.

0425 Anonymous
Lift Truck Safety.
Food Engineering
v. 51 #7 (July 1979): 79-80.

0426 Sevart, J. B. and Keith Pfannenstiel
Developmental History of Seat Belts Used on ROPS-Equipped Agricultural and Material Handling Equipment.
ATI Report No. ATI-90701
Advance Technology, Inc., July 2, 1979.

0427 Anonymous
Programming In-Plant Vehicle Safety.
National Safety News
v. 120 #3 (September 1979): 58-65.

0428 Finch, David C.
Control Systems for Battery Powered Fork Lift Trucks.
SAE 790897
Warrendale, PA, Society of Automotive Engineers, September 1979.

0429 International Organization for Standardization
High-Lift Rider Trucks – Overhead Guards – Specification and Testing.
ISO 6055, 1st ed.
Geneva, Switzerland, International Organization for Standardization, September 15, 1979.

0430 Esser, E. S. and K. L. Sesasai
Telescoping Cylinder Stages Extend Retract Simultaneously, at Constant Speed.
Hydraulics & Pneumatics
v. 32 #10 (October 1979): 144-1248.

0431 Wolf, Ted
Guidelines: Fork Inspection and Maintenance.
Best's Safety Directory, 1980 ed.
Oldwick, NJ, A. M. Best Company, 1979, v. 2, pp. 947-949.

0432 California (State of)
Disabling Work Injuries Involving Forklifts.
California Work Injuries and Illnesses, 1980
San Francisco, State of California Department of Industrial Relations, Division of Labor Statistics, 1980.

0433 McPeck, John S.
Human Factors in Powered-Industrial-Truck Hazards.
Human Factors in Transport Research, D. J. Osborne and J. A. Levis, eds.
New York, Academic Press, 1980, v.1, pp. 169-177.

0434 National Safety Council
Powered Industrial Trucks.
Accident Prevention Manual for Industrial Operations, 8th ed.
Chicago, National Safety Council, 1980, chapter 6, pp. 221-49.

0435 Ohio, Industrial Commission, Division of Safety & Hygiene
Ohio, Forklift, Hy-Lift, Lumber Stacker, Hyster, Towmotor (Agency Code 5206) 1980 Accident Statistics.
Columbus, Ohio Industrial Commission, Division of Safety & Hygiene, 1980.

0436 Society of Automotive Engineers
Deflection of Seat Cushions for Off-Road Work Machines.
SAE J1051 JAN80
Warrendale, PA, Society of Automotive Engineers, approved January 1974, editorial change January 1980.

0437 Society of Automotive Engineers
Unauthorized Starting or Movement of Machines.
SAE J1083 FEB80
Warrendale, PA, Society of Automotive Engineers, approved February 1980.

0438 Anonymous
Trend in Lift Trucks – the "See-Through" Mast!
Modern Materials Handling
v. 35 #4 (April 1980): 78-81.

0439 Society of Automotive Engineers
Control Locations for Construction and Industrial Equipment. Design.
SAE J898 APR80
Warrendale, PA, Society of Automotive Engineers, approved June 1974, editorial change April 1980.

0440 Society of Automotive Engineers
Gradeability Test Code.
SAE J950
Warrendale, PA, Society of Automotive Engineers, approved May 1966, editorial change April 1980.

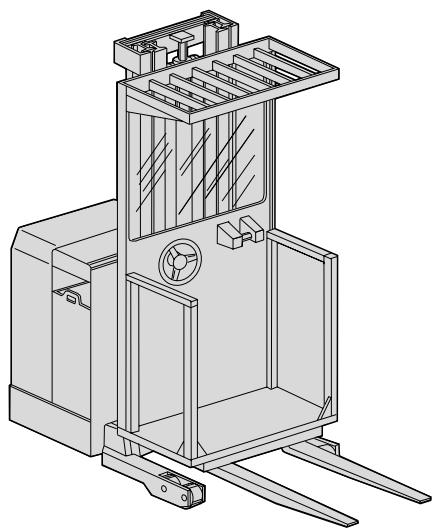


Fig. 3 High lift Order Picker/Rider Truck

0441 Society of Automotive Engineers
Minimum Performance Criteria for Falling Object Protective Structure (FOPS) for Industrial Equipment.
SAE J1043
Warrendale, PA, Society of Automotive Engineers, approved September 1973, editorial change April 1980.

0442 Society of Automotive Engineers
Minimum Performance Criteria for Falling Object Protective Structure (FOPS).
SAE J231 APR80
Warrendale, PA, Society of Automotive Engineers, approved May 1971, editorial change April 1980.

0443 Society of Automotive Engineers
Operator Protection for Industrial Equipment.
SAE J1042
Warrendale, PA, Society of Automotive Engineers, approved January 1974, editorial change April 1980.

0444 Society of Automotive Engineers
Seat Belts for Construction Machines.
SAE J386
Warrendale, PA, Society of Automotive Engineers, revised November 1973, editorial change April 1980.

0445 Society of Automotive Engineers
Steel Products for Rollover Protective Structures (ROPS) and Falling Object Protective Structures (FOPS).
SAE J1119
Warrendale, PA, Society of Automotive Engineers, revised April 1980.

0446 Woodward, Jack L.
ROPS Field Performance - a Status Report.
SAE 800679
Warrendale, PA, Society of Automotive Engineers, April 1980.

0447 International Organization for Standardization
Powered Industrial Trucks - Service Brakes - Component Strength-Performance Requirements.
ISO 6500, 1st ed.
Geneva, Switzerland, International Organization for Standardization, May 15, 1980.

0448 Anonymous
Industrial Trucks: The Major Trends.
Modern Materials Handling
v. 35 #5 (May 20, 1980): 6-22.

0449 Anonymous
Three-Wheel Electric Trucks: Now Coming on Strong!
Modern Materials Handling
v. 35 #6 (June 1980): 84-87.

0450 Society of Automotive Engineers
Categories of Off-Road Self-Propelled Work Machines.
SAE J1116 JUN80
Warrendale, PA, Society of Automotive Engineers, approved July 1975, editorial change June 1980.

0451 Anonymous
Adding Versatility to Fork Lift Trucks.
Engineering (London)
v. 220 (July 1980): 779-781.

0452 Anonymous
Safety's the Winner at Abbott.
National Safety News
v. 122 #2 (August 1980): 76.

0453 Lahay, James W.
In-Plant Traffic Control.
National Safety News
v. 122 #2 (August 1980): 72-75.

0454 Sloan, Albert
Electric-Vehicle Controls.
Engineering (London)
v. 220 (September 1980): 976-977.

0455 Renaud, Lawrence C.
Selecting Dock Levels for Maximum Performance.
Plant Engineering
v. 34 #18 (September 4, 1980): 101-103.

0456 Society of Automotive Engineers
Operator's Seat Dimensions for Off-Road Self-Propelled Work Machines.
SAE J899 OCT80
Warrendale, PA, Society of Automotive Engineers, revised October 1980.

0457 Williams, E. A. and S. E. Priestley
Fork Lift Truck Injuries.
Journal of Society of Occupational Medicine
v. 30 #4 (October 1980): 149-152.

0458 Anonymous
Keep Safety Truckin' Down on the Docks.
Safety Compliance Letter with OSHA Highlights
#1819 (October 10, 1980): 1-3.

0459 International Organization for Standardization
Powered Industrial Trucks - Safety Code.
ISO 3691, 2nd ed.
Geneva, Switzerland, International Organization for Standardization, November 15, 1980.

0460 Goodstein, Janet
Safety-Awareness Campaign Can Avoid Costly Warehouse Accidents.
Pulp & Paper
v. 54 #13 (December 1980): 118.

0461 Wolf, Ted
Guidelines: Fork Inspection and Maintenance.
Best's Safety Directory, 1981 ed.
Oldwick, NJ, A. M. Best Company, 1980, v. 2, pp. 1078-1080.

0462 Advance Technology, Inc.
Fork Lift Operator "Arm-Rest Type" Restraint Device Tested for Tipover.
Report ATI-01201
Wichita, KS, Advance Technology, Inc., December 12, 1980.

0463 Department of the Interior, Bureau of Reclamation
Industrial Trucks, 19.7 in Section 19, Mobile and Stationary Mechanized Equipment.
Construction Safety Standards
Denver, Department of the Interior, Bureau of Reclamation, revised 1981, reprinted 1982, section 19, pp. 221-24.

0464 National Safety Council
Guards Illustrated: Ideas for Mechanical Safety, 4th ed.
Chicago, National Safety Council, 1981, pp. 82-85.

0465 Ohio, Industrial Commission, Division of Safety & Hygiene
Ohio, Forklift, Hy-Lift, Lumber Stack, Hyster, Towmotor (Agency Code 5206) 1981 Accident Statistics.
Columbus, Ohio Industrial Commission, Division of Safety & Hygiene, 1981.

0466 Tire and Rim Association, Inc.
Index to Industrial Section.
Tire and Rim Association 1981 Yearbook
Akron, OH, Tire and Rim Association, 1981.

0467 Tire and Rim Association, Inc.
Index to Off-the-Road Section.
Tire and Rim Association 1981 Yearbook
Akron, OH, Tire and Rim Association, section 3, 1981.

0468 King, Albert I.
Operator Restraint Test Program: Final Report to the Industrial Truck Association.
Southfield, MI, Albert I. King, Inc., January 1, 1981.

0469 Society of Automotive Engineers
Minimum Performance Criteria for Falling Object Protective Structure (FOPS).
SAE J231
Warrendale, PA, Society of Automotive Engineers, approved May 1971, editorial change January 1981.

0470 Weber, R. C. and J. Seifert.
Wind: A Power Source for Forklift Trucks.
Mechanical Engineering
v. 103 #1 (January 1981): 30-35.

0471 Advance Technology, Inc.
Forklift Operator "Seat Belt" Restraint Device Tested for Tipover.
ATI 10102
Wichita, KS, Advance Technology, Inc., January 22, 1981.

0472 Advance Technology, Inc.
Forklift Operator "Sliding Door Type" Restraint Device Tested for Tipover.
ATI 10101
Wichita, KS, Advance Technology, Inc., January 22, 1981.

0473 Advance Technology, Inc.
Forklift Standard Seat Tested for Tipover.
ATI 10102
Wichita, KS, Advance Technology, Inc., January 22, 1981.

0474 American Society of Mechanical Engineers
Personnel and Burden Carriers.
ANSI/ASME B56.8-1981
New York, American Society of Mechanical Engineers, approved by the American National Standards Institute February 17, 1981.

0475 Society of Automotive Engineers
Center of Gravity Test Code.
SAE J874
Warrendale, PA, Society of Automotive Engineers, revised February 1968, editorial change March 1981.

0476 Army Corps of Engineers
Machinery and Mechanized Equipment.
Safety and Health Requirements Manual, EM 385-1-1
Washington, Army Corps of Engineers, April 1, 1981, section 18, pp. 104-111.

0477 Martin, C. H.
How to Check Lift Forks for Safety.
Plant Engineering
v. 35 #11 (May 28, 1981): 219-221.

0478 Society of Automotive Engineers
Categories of Off-Road Self-Propelled Work Machines.
SAE J1116 JUN81
Warrendale, PA, Society of Automotive Engineers, revised June 1981.

0479 Society of Automotive Engineers
Product Identification Numbering System of Off-Road Work Machines.
SAE J1360 JUN81
Warrendale, PA, Society of Automotive Engineers, approved June 1981.

0480 A. M. Best Company
Lift Truck Safety.
Best's Safety Directory, 1982 ed.
Oldwick, NJ, A. M. Best Company, 1981, v. 2, pp. 1161-1164.

0481 International Organization for Standardization
Powered Industrial Trucks - Brake Performance - Part 1: High-Lift, Low-Lift and Non-Lifting.
ISO 6292/1, 1st ed.
Geneva, Switzerland, International Organization for Standardization, December 15, 1981.

0482 King, Ralph W. and John Magid
Powered Wheeled Transport Within Works and Factories.
Industrial Hazard and Safety Handbook, revised ed.
Impression, London, Butterworth Scientific, 1982, section 5.9, pp. 591-603.

0483 Melvin, John W., Nabih M. Alem, and Christopher B. Winkler
Operator Restraint Testing Program. Phase II [Final Report].
UM-HSRI-82-6-1
Ann Arbor, University of Michigan, Highway Safety Research Institute, 1982.

0484 National Fire Protection Association
Fire Safety Standard for Powered Industrial Trucks, Including Type Designations, Areas of Use, Maintenance and Operation.
NFPA 505 1982 (ANSI B56.2)
Quincy, MA, National Fire Protection Association, 1982.

0485 National Safety Council
Powered Industrial Lift Trucks.
NSC Data Sheet 1-653-Rev. 82
Chicago, National Safety Council, 1982.

0486 Ohio, Industrial Commission, Division of Safety & Hygiene
Ohio, Forklift, Hy-Lift, Lumber Stack, Hyster, Towmotor (Agency Code 5206) 1982 Accident Statistics.
Columbus, Ohio Industrial Commission, Division of Safety & Hygiene, 1982.

0487 Sims, E. Ralph Jr.
Materials Handling Systems.
Handbook of Industrial Engineering
New York, John Wiley & Sons, 1982, chapter 10.3, pp. 10.3.1-10.3.16.

0488 Strandberg, Lennart, G. Tengstrand and H. Lanshammar
Accident Hazards of Rear Wheel Steered Vehicles.
Analysis, Design and Evaluation of Man-Machine Systems
Baden-Baden, Germany, IFAC, 1982, pp. 399-405.

0489 American Society of Mechanical Engineers
Industrial Crane Trucks.
ANSI/ASME B56.7-1982
New York, American National Standards Institute, approved by the American National Standards Institute, February 9, 1982.

0490 Melvin, John W., Nabih M. Alem, and Christopher B. Winkler
Operator Restraint Testing Program. Phase I: Appendices [Final Report].
UM-HSRI-82-6-2
Ann Arbor, University of Michigan, Highway Safety Research Institute, March 1982.

0491 Stephens, James E. and William P. Cunniffe
Forklift Truck, 4000-Pound-Capacity, Gasoline-Engine-Driven, Solid-Rubber-Tired, Allis-Chalmers Model 45 NSN 3930-01-075-4937 - Army User Survey.
Report 2350. AD A116 892
Fort Belvoir, VA, Army Mobility Equipment Research and Development Command, March 1982.

0492 Zander, Thomas R.
Planning a Lift-Truck Maintenance and Inspection Program.
Plant Engineering
v. 36 #5 (March 4, 1982): 60-63.

0493 International Organization for Standardization
Powered Industrial Trucks - Visibility Test Methods and Requirements - ISO Draft Proposal.
ISO/TC10/SC2 N 258
Geneva, Switzerland, International Organization for Standardization, 1981, revised April 1982.

0494 McCarthy, Roger L., Jeya Padmanaban and Robert K. Taylor
Documentation for Lift Truck Accident Data Base.
Los Angeles, Failure Analysis Associates, April 1982.

0495 McCarthy, Roger L., Robert K. Taylor, James P. Finnegan and Susan Krumm-Scott
Review of Occupant Restraint Effectiveness and Its Application to Lift Truck.
Los Angeles, Failure Analysis Associates, April 1982.

0496 McCarthy, Roger L., Jeya Padmanaban and Robert K. Taylor
Analysis of Industrial Lift Truck Accidents.
Los Angeles, Failure Analysis Associates, May 1982.

0497 Army Safety Inspection and Testing of Lifting Devices.
Technical Bulletin TB 43-0142.
Washington, Department of the Army, June 14, 1982, 13 pp.

0498 Schwind, Gene F.
Update on Powered Industrial Trucks: New Components Make Them Easier to Use. New Regulations Make Them Easier to Buy.
Material Handling Engineering
v. 37 #7 (July 1982): 60-71.

0499 Society of Automotive Engineers
Control Locations for Off-Road Work Machines.
SAE J898 JUL82
Warrendale, PA, Society of Automotive Engineers, revised July 1982.

0500 Kulwiec, Ray
Reference File: Lift Trucks - Basic Types, Selection Factors, and Engineering Data.
Plant Engineering
v. 36 (July 22, 1982): 44-56.

0501 A. M. Best Company
Forklift Safety.
Best's Safety Directory, 1983 ed.
Oldwick, NJ, A. M. Best Company, 1982, v. 2, pp. 1123-1126.

0502 Truck Trailer Manufacturers Association
Rating of Trailer and Container Floors for Fork Lift Truck Loading.
TTMA RP 37-82
Alexandria, VA, Truck Trailer Manufacturers Association, Nov. 1971, reissued December 10, 1982.

0503 Abels, Theodor
Advances in the Design of Fork-Lift Truck Components Improve Safety and Economy in Use.
Linde Reports on Science and Technology
#35 (1983): 5 pp.

0504 Bowman-Shaw, G. N.
Evolution of Frontlift Truck Design for Container Handling and Ro-Ro Operations.
Ro-Ro 83: Proceedings of the 6th International Conference on Marine Transport Using Roll-On/Roll-Off Methods.
Rickmansworth, England, BML Business Meetings Limited, 1983, pp. 281-284.

0505 Cohen, H. Harvey and Roger C. Jensen
Demonstration of the Effectiveness of an Industrial Lift Truck Operator Safety Training Program Utilizing a Behavior Sampling Procedure.
NTIS PB83-197 012
Cincinnati, National Institute for Occupational Safety and Health, Division of Safety Research, c. 1983.

0506 Dannestig, P. O., L. Lindberg and J. Stenborg
New Approaches to Safety and Environmental Demands with Forklift Ro-Ro Handling.
Ro-Ro 83: Proceedings of the 6th International Conference on Marine Transport Using Roll-On/Roll-Off Methods.
Rickmansworth, England, BML Business Meetings Limited, 1983, pp. 285-288.

0507 Mencil, C. J. and F. L. Cople
New Side Loader Concept for Container Handling Aboard and in Dockside Ro-Ro Operations.
Ro-Ro 83: Proceedings of the 6th International Conference on Marine Transport Using Roll-On/Roll-Off Methods.
Rickmansworth, England, BML Business Meetings Limited, 1983, pp. 271-280.

0508 National Safety Council
Powered Hand Trucks.
NSC Data Sheet 1-317-Rev. 83
Chicago, National Safety Council, 1983.

0509 Ohio, Industrial Commission, Division of Safety & Hygiene
Ohio, Forklifts and Similar Vehicles, 1971-1976 Accident Statistics.
Columbus, Ohio Industrial Commission, Division of Safety & Hygiene, 1983.

0510 Drugan, Cheryl Graziulis
Industrial Trucks.
Handling & Shipping Management
v. 24 (January 1983): 49-50.

0511 Strandberg, Lennart
Danger, Rear Wheel Steering.
Journal of Occupational Accidents
v. 5 #1 (January 1983): 39-58.

0512 Michigan (State of)
Part 21: Powered Industrial Trucks.
Michigan Safety Standards R408.12101 - R408.12193
Lansing, Michigan Department of Labor, General Industry Safety Standards Commission, filed December 28, 1972, as amended March 2, 1983.

0513 Army
Safety Inspection and Testing of Lifting Devices.
Technical Bulletin TB 43-0142, change #1
Washington, Department of the Army, March 31, 1983, 2 pp.

0514 Drugan, Cheryl Graziulis
Minimizing the Risk in Lift Truck Operations.
Handling & Shipping Management
v. 24 (April 1983): 43-48.

0515 Kulwiec, Ray
Important Publication on High-Rack Storage Safety.
Plant Engineering
v. 37 #9 (April 28, 1983): 58.

0516 Society of Automotive Engineers
Labeling of ROPS and FOPS.
SAE J1164 MAY83
Warrendale, PA, Society of Automotive Engineers, revised May 1983.

0517 Anonymous
Industrial Safety Tips: Hand and Body Protection: Forklift
Truck Safety, Lockout and Blockout Protection.
Journal of American Insurance
v. 59 #3 (Fall 1983): 22-27.

0518 Kulwiec, Ray
Cost Comparison: Gas vs. Electric Lift Trucks.
Plant Engineering
v. 37 #18 (September 1, 1983): 64.

0519 American Society of Mechanical Engineers
Safety Standard for Low Lift and High Lift Trucks.
ANSI/ASME B56.1-1983
New York, American Society of Mechanical Engineers,
approved by the American National Standards Institute September 15, 1983.

0520 Clark Equipment Company
Operator Restraint For the Lift Truck: A Compendium.
Battle Creek, MI, Clark Equipment Company, Industrial Truck Division,
September 19, 1983.

0521 Graham, John T.
Trends in Lift-Truck Design and Operation.
Plant Engineering
v. 37 #20 (September 29, 1983): 66.

0522 Benson, Joseph B., John W. Melvin, and Richard G. Snyder
Evaluation of the Upgraded Heavy Equipment Operators'
Safety Belt Restraint System [Final Report].
NTIS PB84-141 423: UMTRI-83-51
Ann Arbor, University of Michigan Transportation Research Institute,
October 1983.

0523 Anonymous
Driving Home the Benefits of Lift Truck Safety.
Industrial Management
(November 1983): 18-20.

0524 Kulwiec, Ray
New Concept in Lift-Truck Safety.
Plant Engineering
v. 37 #24 (November 10, 1983): 84, 89.

0525 International Organization for Standardization
Fork Lift Trucks – Fork Arms – Dimensions.
ISO 2329, 1st ed.
Geneva, Switzerland, International Organization for Standardization,
November 15, 1983.

0526 Anonymous
Industry's Work Horse Gets a Safer Saddle.
National Safety News
v. 128 #6 (December 1983): 56.

0527 Frank, Gary D.
Automatic Guided Vehicles: Key Link in Plant Operations.
Plant Engineering
v. 37 #26 (December 8, 1983): 72, 76.

0528 Allegri, Theodore H.
Equipment Selection: Industrial Powered Trucks and Truck
Attachments: Batteries, Chargers, Cables and Connectors.
Materials Handling: Principles and Practice
New York, Van Nostrand Reinhold Company, 1984, chapter 11, pp. 280-312.

0529 Allegri, Theodore H.
High-Density Storage, Fire Prevention, and Nonpermanent Structures.
Materials Handling: Principles and Practice
New York, Van Nostrand Reinhold, 1984, chapter 7, pp. 180-192.

0530 Allegri, Theodore H.
Material Handling Safety and Training.
Materials Handling: Principles and Practice
New York, Van Nostrand Reinhold Company, 1984, chapter 15, pp. 383-404.

0531 National Safety Council
Dock Plates and Gangplanks.
NSC Data Sheet 1-318-Rev. 84
Chicago, National Safety Council, 1984.

0532 Akamatsu, M. and E. Grund
Forklift Safety Involves More Than Just Forklifts.
Professional Safety
v. 29 #1 (January 1984): 15-20.

0533 Drugan, Cheryl Grazulis
World Lift Truck Takes Hold.
Handling & Shipping Management
v. 25 (January 1984): 67-68.

0534 Occupational Safety and Health Administration
Powered Industrial Trucks.
29 CFR 1910.178, effective June 27, 1974, amended May 28,
1975, October 24, 1978, and February 10, 1984
Washington, Occupational Safety and Health Administration,
as published in the Code of Federal Regulations Title 29 Part 1910,
revised through July 1, 1985, pp. 402-411.

0535 Anonymous
What Narrow Aisle Lift Trucks Can Do For You.
Handling & Shipping Management
v. 25 (March 1984): 50-54.

0536 Kulwiec, Ray
Terminology for Narrow-Aisle Lift Trucks.
Plant Engineering
v. 38 #5 (March 8, 1984): 210.

0537 Overend, Robert B.
Clark's Forklift Restraint System: Providing Occupant Protection for the
Industrial Off-the-Road Driver.
Traffic Safety
v. 84 #2 (March/April 1984): 18-29.

0538 McGaffigan, James
How Pallets, Racks, and Narrow Aisle Trucks Interact.
Plant Engineering
v. 38 #8 (April 12, 1984): 96.

0539 International Organization for Standardization
Earth-Moving Machinery: Falling Object Protective Structures
– Laboratory Tests and Performance Requirements.
ISO 3449, 3rd ed.
Geneva, Switzerland, International Organization for
Standardization, April 16, 1984.

0540 American Society of Mechanical Engineers
Loading Dock Levelers and Dockboards.
ANSI/ASME MH14.1-1984
New York, American Society of Mechanical Engineers,
approved by the American National Standards Institute April 26, 1984.

0541 Mayerson, Hy
Forklift Safety.
Professional Safety
v. 29 #5 (May 1984): 11.

0542 Kulwiec, Ray
Wheel Loader, Fork Truck, and Sweeper – All in One.
Plant Engineering
v. 38 #11 (May 10, 1984): 104.

0543 Underwriters Laboratories, Inc.
Industrial Trucks, Internal Combustion Engine-Powered.
ANSI/UL 558-1984 7th ed.
Northbrook, IL, Underwriters Laboratories Inc., approved June 27, 1984.

0544 Lahey, James W.
How to Make Fork Truck Safety Uplifting.
National Safety News
v. 130 #1 (July 1984): 31-33.

0545 Anonymous
Three-Wheel Electric Trucks Prove Versatile.
Material Handling Engineering
v. 29 #8 (August 1984): 74.

0546 Weils, W. H.
When Should Lift Trucks Be Replaced?
Plant Engineering
v. 38 #20 (August 23, 1984): 60-62.

0547 Anonymous
Hydrostatic Power Steering System Simplifies Steer-Axle Design.
Hydraulics & Pneumatics
v. 37 #9 (September 1984): 65-66.

0548 Anonymous
Solid State SCR Varies Hydraulic Pump Speed, Provides
Precise Load Control.
Hydraulics & Pneumatics
v. 37 #9 (September 1984): 68-70.

0549 Cohen, H. Harvey and Roger C. Jensen
Measuring the Effectiveness of An Industrial Lift Truck Safety
Training Program.
Journal of Safety Research
v. 15 #3 (Fall 1984): 125-135.

0550 Ekstrom, George A.
Family of Computer-Designed Cylinders Provides Operators
with Unobstructed Work "Windows".
Hydraulics & Pneumatics
v. 37 #9 (September 1984): 67-68.

0551 Army Corps of Engineers
Machinery and Mechanized Equipment.
Safety and Health Requirements Manual, EM 385-1-1
Washington, Army Corps of Engineers, revised October 1984, section 18,
pp. 117-124.

0552 Landberg, Lynn
Lift Trucks That Tame Rough Terrain.
Construction Equipment Magazine
v. 70 #10 (October 25, 1984): 119-124.

0553 American Insurance Services Group, Inc.
Your Guide to Safety as a Powered Industrial Truck Driver.
New York, American Insurance Services Group, Engineering and Safety Service,
December 1984.

0554 Anonymous
Fork Lift Trucks That Conquer Rough Terrain.
Modern Materials Handling
v. 39 #18 (December 10, 1984): 50-52.

0555 Farm and Industrial Equipment Institute
Rough Terrain Forklift Safety Manual for Operators and Mechanics.
Chicago, Equipment Manufacturers Institute, 1985.

0556 National Safety Council
Liquefied Petroleum Gases for Industrial Trucks.
NSC Data Sheet I-479 Rev. 85
Chicago, National Safety Council, 1985.

0557 O'Connell, William et al.
Powered Industrial Trucks.
Materials Handling Handbook, 2nd ed., Raymond Kulwiec, ed.
New York, John Wiley & Sons, 1985, chapter 7, pp. 187-271.

0558 Swedish Transport Research Commission
Counterbalanced Trucks.
Handbook of Materials Handling
New York, John Wiley & Sons, Halsted Press Division, 1985, pp. 62-68.

0559 Swedish Transport Research Commission
General Information on Trucks.
Handbook of Materials Handling
New York, John Wiley & Sons, Halsted Press Division, 1985, pp. 45-61.

0560 Swedish Transport Research Commission
Hand Pallet Trucks and Stackers.
Handbook of Materials Handling
New York, John Wiley & Sons, Halsted Press Division, 1985, pp. 90-91.

0561 Swedish Transport Research Commission
Narrow Aisle Trucks.
Handbook of Materials Handling
New York, John Wiley & Sons, Halsted Press Division, 1985, pp. 81-83.

0562 Swedish Transport Research Commission
Order Pickers.
Handbook of Materials Handling
New York, John Wiley & Sons, Halsted Press Division, 1985, pp. 84-86.

0563 Swedish Transport Research Commission
Powered Stackers.
Handbook of Materials Handling
New York, John Wiley & Sons, Halsted Press Division, 1985, pp. 69-76.

0564 Swedish Transport Research Commission
Reach Trucks.
Handbook of Materials Handling
New York, John Wiley & Sons, Halsted Press Division, 1985, pp. 77-80.

0565 Swedish Transport Research Commission
Sideloaders and Four-Way Trucks.
Handbook of Materials Handling
New York, John Wiley & Sons, Halsted Press Division, 1985, p. 87.

0566 United States Steel Corporation
Forklift Seatbelt Policy.
Gary, IN, United States Steel Corporation, compiled 1985.

0567 Anonymous
Industrial Trucks – Why Today's Designs Give You More for
Your Operating Dollar.
Modern Materials Handling
v. 40 #1 (January 1985): 84-89.

0568 Semling, Harold V.
Washington News: Army Develops its Own Lift Truck.
Material Handling Engineering
v. 40 #2 (February 1985): 37.

0569 American Society of Mechanical Engineers
Hook-Type Forks and Fork Carriers for Powered Industrial
Forklift Trucks.
ANSI/ASME B56.11.4-1985
New York, American Society of Mechanical Engineers, approved by the
American National Standards Institute February 8, 1985.

0570 Kanno, A.
Correspondence to N. Kramer, Triodyne, Inc., headed
Compensable Injuries: Michigan 1979-1983.
Lansing, MI, Letter from A. Kanno, Chief, State of Michigan
Department of Labor, to N. Kramer, Triodyne Inc., Niles, IL,
February 27, 1985.

0571 American Society of Mechanical Engineers
Safety Standard for Low Lift and High Lift Trucks: Addenda to
ANSI/ASME B56.1-1983.
ANSI/ASME B56.1a-1985
New York, American Society of Mechanical Engineers, approved by the
American National Standards Institute March 15, 1985.

0572 Anonymous
Vehicle Restraints are Key to Minimizing Dock Injuries.
Modern Materials Handling
v. 40 #5 (April 1985): 99.

0573 Dunn, Richard L.
Truck Attachment Stabilizes Loads.
Plant Engineering
v. 39 #7 (April 1, 1985): 62.

0574 Society of Automotive Engineers
Performance Criteria for FOPS on General Purpose Industrial Machines.
SAE J1043 APR85
Warrendale, PA, Society of Automotive Engineers, revised April 1985.

0575 Alem, Nabih M.
Effects of Seatwings and Seatbelts in the Response of Forklift
Truck Operator During Lateral Dynamic Tipovers [Final Report].
UMTRI-85-16
Ann Arbor, MI, University of Michigan, Transportation Research
Institute, June 1985.

0576 Society of Automotive Engineers
Operator Restraint Systems for Off-Road Work Machines.
SAE J386 JUN85
Warrendale, PA, Society of Automotive Engineers, revised June 1985.

0577 Dunn, Richard L.
Yale Introduces Broad Line of Narrow Aisle Turret Trucks.
Plant Engineering
v. 39 #11 (June 13, 1985): 74.

0578 Anonymous
Users' Needs Gaining Attention in More Buoyant Lift Truck Market.
Materials Management and Distribution
v. 30 #7 (July 1985): 26-27, 29-30.

0579 Society of Automotive Engineers
Unauthorized Starting or Movement of Machines.
SAE J1083 JUL85
Warrendale, PA, Society of Automotive Engineers, approved
February 1980, reaffirmed July 1985.

0580 Institute for Advanced Safety Studies
Static Overturns of Forklift Trucks: Safety Analysis and Testing
Program of Operator Restraint Systems.
Niles, IL, Institute for Advanced Safety Studies, June-August, 1985.

0581 Anonymous
Diesel-Powered Trucks Lower Fuel, Maintenance Costs.
Modern Materials Handling: 1985 Casebook Directory
v. 39 #11 (Fall 1985): 37.

0582 Anonymous
Electric Lift Trucks Help Deliver the Suds.
Modern Materials Handling: 1985 Casebook Directory
v. 39 #11 (Fall 1985): 37.

0583 Anonymous
Electric Vehicles Help Navigate Sprawling Plant.
Modern Materials Handling: 1985 Casebook Directory
v. 39 #11 (Fall 1985): 33.

0584 Anonymous
Forklift Totes Bales with No Great Strain.
Modern Materials Handling: 1985 Casebook Directory
v. 39 #11 (Fall 1985): 39.

0585 Anonymous
How Six Forklift Trucks Can do the Work of Eight.
Modern Materials Handling: 1985 Casebook Directory
v. 39 #11 (Fall 1985): 41.

0586 Anonymous
Industrial Truck Equipment: Powered, Non-powered:
Equipment Selection Guidelines.
Modern Materials Handling: 1985 Casebook Directory
v. 39 #11 (Fall 1985): 45, 47, 49.

0587 Anonymous
Narrow-Aisle Truck Leads to Time and Labor Savings.
Modern Materials Handling: 1985 Casebook Directory
v. 39 #11 (Fall 1985): 41.

0588 Anonymous
Non-Powered Carts Speed Delivery at Lower Cost.
Modern Materials Handling: 1985 Casebook Directory
v. 39 #11 (Fall 1985): 33.

0589 Anonymous
Open the Door to Safety: Shipping and Receiving Materials Properly.
National Safety and Health News
v. 132 #3 (September 1985): 63-66.

0590 Anonymous
Preventive Maintenance Extends Battery Life.
Modern Materials Handling: 1985 Casebook Directory
v. 39 #11 (Fall 1985): 29.

0591 Anonymous
Protecting the Worker in Materials Handling.
National Safety and Health News
v. 132 #3 (September 1985): 35-40.

0592 Anonymous
Truck Attachment Handles Drums Many Times Faster.
Modern Materials Handling: 1985 Casebook Directory
v. 39 #11 (Fall 1985): 29.

0593 Nelson, Thomas L.
Case for Trailer Restraints.
National Safety and Health News
v. 132 #3 (September 1985): 60-62.

0594 American Society of Mechanical Engineers
Loading Dock Levelers and Dockboards: Addenda to ANSI/
ASME M14.1-1984.
ANSI/ASME MH14.1a-1985
New York, American Society of Mechanical Engineers, approved by the
American National Standards Institute September 13, 1985.

0595 Society of Automotive Engineers
Center of Gravity Test Code.
SAE J874 OCT85
Warrendale, PA, Society of Automotive Engineers, revised October 1985.

0596 Society of Automotive Engineers
Gradeability Test Code.
SAE J950 OCT85
Warrendale, PA, Society of Automotive Engineers, revised October 1985.

0597 Institute for Advanced Safety Studies
Preliminary Report on Tip-Over Experiences of Forklift Truck Operators.
Niles, IL, Institute for Advanced Safety Studies, November 1985.

0598 A. M. Best Company
Keeping Forklift Operators Safe.
Best's Safety Directory, 1986 ed.
Oldwick, NJ, A. M. Best Company, 1985, v. 2, pp. 1082-1084.

0599 Anonymous
Maintenance Leads to Savings.
Modern Materials Handling
v. 40 #15 (December 1985): 11.

0600 Diedrich, Richard A. and James W. Thiem
Just-In-Time Dock Design Blends Safety and Efficiency.
Best's Safety Directory, 1986 ed.
Oldwick, NJ, A. M. Best Company, 1985, v. 2, pp. 1096-1100.

0601 Institute for Advanced Safety Studies
Maneuver Analysis: A Safety Program for Forklift Truck Operator Protection.
Niles, IL, Institute for Advanced Safety Studies, December 3, 1985.

0602 Institute for Advanced Safety Studies
Examination of Seat Belt Acceptance by Forklift Truck Operators.
Niles, IL, Institute for Advanced Safety Studies, December 27, 1985.

0603 Duchon, James C. and Linneas W. Laage
Consideration of Human Factors in the Design of a Backing-Up Warning
System.
Proceedings of the Human Factors Society, 30th Annual Meeting
Santa Monica, CA, Human Factors Society, 1986.

0604 Rite-Hite
Dock Leveler Lengths, Widths and Capacities.
Dock Design Guide
Milwaukee, WI, Rite-Hite Corporation, 1986, pp. 18-20.

0605 Anonymous
Choosing a Forklift Truck.
Materials Management and Distribution
v. 31 #1 (January 1986): 11-14, 16-17, 44-45.

0606 Anonymous
Hears of Handling, Distribution Beat Strongly to Keep Arteries Clear.
Materials Management and Distribution
v. 31 #1 (January 1986): 42-44.

0607 Anonymous
Man-Aloft Turret Truck Works Best in Locations with Narrow Aisles.
Food Engineering
v. 58 #1 (January 1986): 89.

0608 Anonymous
Seat Restraints for Forklifts.
Trial
v. 22 #1 (January 1986): 17.

0609 Institute for Advanced Safety Studies
Dynamic Forklift Truck Tip-Overs: Preliminary Safety Analysis and Testing
Program of Operator Restraint Systems.
Niles, IL, Institute for Advanced Safety Studies, January 2, 1986.

0610 Anonymous
Better Operator Compartments by Computer.
Coal Age
v. 21 #2 (February 1986): 65.

0611 Institute for Advanced Safety Studies
Effects of Operator Restraint on Measured Head Impacts During Lateral
Overturns of Forklift Trucks.
Niles, IL, Institute for Advanced Safety Studies, February 1986.

0612 Society of Automotive Engineers
Operator Protection for General Purpose Industrial Machines.
SAE J1042 FEB86
Warrendale, PA, Society of Automotive Engineers, revised February 1986.

0613 Anonymous
Forklift Adapter Mimics Fifth Wheel.
Machine Design
v. 58 #3 (February 6, 1986): 46.

0614 Lindsay, Dave
Wire in Floor Automatically Controls Lift Truck Hydrostatic Steering.
Hydraulics & Pneumatics
v. 39 #3 (March 1986): 16.

0615 Pashall, Michael R.
How Much is Your Lift Truck Really Costing You?
Modern Materials Handling
v. 41 #3 (March 1986): 82-83.

0616 Pashall, Michael R.
Side-Loading Trucks - Making High-Cube Storage Pay Off
Modern Materials Handling
v. 41 #3 (March 1986): 84-88.

0617 Anonymous
Nylon Tanks Give Lift Trucks a Boost.
Design News
v. 42 #5 (March 3, 1986): 56.

0618 Anonymous
Using Robots to Make Fork-Lifts Competitive.
Engineer
v. 262 #6781 (March 13, 1986): 35-36.

0619 American Society of Mechanical Engineers
Safety Standard for Low Lift and High Lift Trucks: Addenda to
ANSI/ASME B56.1-1983.
ANSI/ASME B56.1b-1986
New York, American Society of Mechanical Engineers, approved by the
American National Standards Institute March 17, 1986.

0620 Department of Labor
Injuries to Warehouse Workers.
BLS Bulletin 2257
Washington, Department of Labor, Bureau of Labor Statistics, April 1986.

0621 Ohio, Industrial Commission
Educational Safety Guide For: Powered Industrial Trucks.
Cincinnati, Industrial Commission of Ohio, Division of Safety and Hygiene,
April 1986.

0622 American Society of Mechanical Engineers.
Safety Standard for Rough Terrain Fork Lift Trucks, Draft.
ANSI/ASME B56.6-19xx DRAFT
New York, American Society of Mechanical Engineers, May 1986.

0623 Anonymous
At Public, Lift Trucks Do It All!
Modern Materials Handling: 1986 Warehousing Guidebook
v. 41 #4 (Spring 1986): 93.

0624 Anonymous
Customized Lift Truck Makes Fast Work of 40-Ton Coils.
Modern Materials Handling
v. 41 #7 (June 1986): 99.

0625 Anonymous
Industrial Trucks - They Carry the Warehouse Loads.
Modern Materials Handling: 1986 Warehousing Guidebook
v. 41 #4 (Spring 1986): 39-42.

0626 Compton, Mike
Building Safety Into Container Handling Lift Trucks.
Cargo Systems
v. 13 #6 (June 1986): 44-45, 47.

0627 Schwind, Gene F.
What's New in Powered Industrial Trucks.
Material Handling Engineering
v. 41 #6 (June 1986): 58-63.

0628 Society of Automotive Engineers
Categories of Off-Road Self-Propelled Work Machines.
SAE J1116 JUN86
Warrendale, PA, Society of Automotive Engineers, revised June 1985,
editorial change June 1986.

0629 Occupational Safety and Health Administration
OSHA Instruction STD 1-11.7. Mechanical Means to Secure Trucks or
Trailers to a Loading Dock.
Occupational Safety & Health Reporter
(June 26, 1986): 161-162.

0630 Occupational Safety and Health Administration
OSHA Instructions STD 1-11.1, 1-11.3, 1-11.4 and 1-11.5,
issued October 30, 1978.
Occupational Safety & Health Reporter
(June 26, 1986): 158-159.

0631 Anonymous
Lift Truck Mounted Data Terminal Eliminates Inventory Errors.
Food Engineering
v. 60 #7 (July 1986): 89.

0632 Boyles, M.
Marina Stacker Hydraulically Floats Boats.
Hydraulics & Pneumatics
v. 39 #7 (July 1986): 78-79, 123.

0633 Ekstrom, George A.
Lift Truck Cylinders Act in Concert.
Hydraulics & Pneumatics
v. 39 #7 (July 1986): 76-77.

0634 Anonymous
Clark Signs Agreement with Samsung.
Modern Materials Handling
v. 41 #9 (August 1986): 15, 17.

0635 Beck, Larry
IMMS Fork Truck Rally Boosts Safety and Morale.
Modern Materials Handling
v. 41 #9 (August 1986): 70-71.

0636 Dunn, Richard L.
Standardized Lift Truck Fleet Reduces Operating and Maintenance Costs.
Plant Engineering
v. 40 #16 (August 14, 1986): 46, 50.

0637 American Society of Mechanical Engineers
Personnel and Burden Carriers.
ANSI/ASME B56.8-19xx DRAFT
New York, American Society of Mechanical Engineers, September 1986.

0638 Anonymous
Aisle-Guided Stockpickers End Double Handling.
Modern Materials Handling: 1986 Casebook Directory
v. 40 #11 (Fall 1986): 19.

0639 Anonymous
Drum Handling Attachments Save Labor.
Modern Materials Handling: 1986 Casebook Directory
v. 40 #11 (Fall 1986): 17.

0640 Anonymous
Electric Lift Trucks Feature Microprocessor Control.
Food Engineering
v. 58 #9 (September 1986): 143.

0641 Anonymous
Industrial Truck Equipment: Powered, Non-Powered: Equipment Selection
Guidelines.
Modern Materials Handling: 1986 Casebook Directory
v. 40 #11 (Fall 1986): 29, 31, 33.

0642 Anonymous
Lift Truck Attachments.
Modern Materials Handling
v. 41 #13 (Fall 1986): 71.

0643 Anonymous
Lift Trucks Speed Pallet Movement.
Modern Materials Handling: 1986 Casebook Directory
v. 40 #11 (Fall 1986): 23.

0644 Anonymous
Maintenance Program Maximizes Battery Life.
Modern Materials Handling: 1986 Casebook Directory
v. 40 #11 (Fall 1986): 23.

0645 Anonymous
Manual Lifts Reduce Fatigue.
Modern Materials Handling: 1986 Casebook Directory
v. 40 #11 (Fall 1986): 19.

0646 Anonymous
Narrow-Aisle Trucks Streamline Picking.
Modern Materials Handling: 1986 Casebook Directory
v. 40 #11 (Fall 1986): 27.

0647 Anonymous
New Truck Models: New World Sourcing.
Material Handling Engineering
v. 41 #9 (September 1986): 115.

0648 Anonymous
Scheduled Charging Adds Battery Life.
Modern Materials Handling: 1986 Casebook Directory
v. 40 #11 (Fall 1986): 17.

0649 Anonymous
Solid-State Trailer Restraint Locks-in Safety on Loading Dock.
Food Engineering
v. 58 #9 (September 1986): 118.

0650 Anonymous
Material Handlers Develop to Suit Demanding Role.
World Construction
(October 1986): 46, 48, 50, 52.

0651 Anonymous
Floating Cab System Adds Operator Comfort.
Material Handling Engineering
v. 41 #11 (November 1986): 32.

0652 Anonymous
IC Trucks Stress Comfort, Productivity.
Modern Materials Handling
v. 41 #14 (November 1986): 143.

0653 Schwind, Gene F.
Automatic Guided Vehicle Systems: More Choices Today than Ever.
Material Handling Engineering
v. 41 #11 (November 1986): 76-82.

0654 Barrie, Chris
Climax's Fate in Balance as Rivals Consider Bids.
Engineer
v. 263 #6815 (November 6, 1986): 10.

0655 Dunn, Richard L.
Electronic Lift Truck-Mounted Scale Allows Mobile Auditing.
Plant Engineering
v. 40 #22 (November 13, 1986): 68.

0656 Industrial Truck Association
Proposed OSHA Regulation Dealing with Training for and Certification
of Operators of Powered Industrial Trucks: Draft.
Washington, Industrial Truck Association, November 15, 1986.

0657 Anonymous
Industrial Truck Association Promotes Safety in Lift Truck Design
and Operation.
Material Handling Engineering
v. 41 #12 (December 1986): 24.

0658 Anonymous
Lift Truck Scale Reduces Material Costs.
Material Handling Engineering
v. 41 #12 (December 1986): 85-86.

0659 Pashall, Michael R.
Aisle Width - Every Inch Counts.
Modern Materials Handling
v. 41 #15 (December 1986): 66-67.

0660 Schwind, Gene F.
Lift Trucks: A World of Choices.
Material Handling Engineering
v. 41 #12 (December 1986): 57-62.

0661 Anonymous
Lift Truck Operating Costs Drop 50% in One Year.
Modern Materials Handling: 1987 Casebook Directory
v. 41 #11 (1987): 21.

0662 Channing L. Bete Company
About Forklift Safety.
South Deerfield, MA, Channing L. Bete Company, Inc., 1987.

0663 Department of the Interior, Bureau of Reclamation
Industrial Trucks, 19.12 in Section 19 Mobile and Stationary
Mechanical Equipment.
Construction Safety Standards
Denver, Department of the Interior, Bureau of Reclamation, 1987,
section 19, p. 156.

0664 Gradall Company
Gradall Material Handler Safety Manual.
New Philadelphia, OH, Gradall Company, 1987.

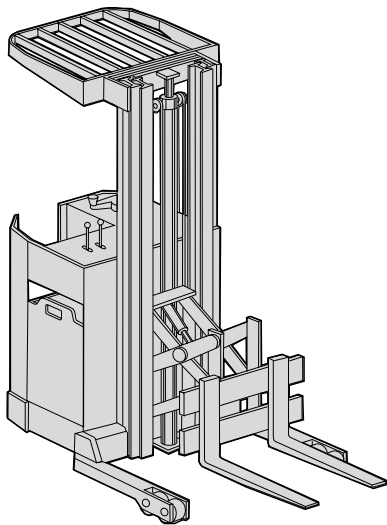


Fig. 4 Reach Rider Truck

0665 National Safety Council
Trucks and Heavy Equipment.
Safeguarding Concepts Illustrated, 5th ed.
Chicago, National Safety Council, 1987, 82-86.

0666 Rite-Hite
Rite-Hite Dock Safety Guide.
Milwaukee, WI, Rite-Hite Corporation, 1987.

0667 Tel-A-Train
Employee's Guide to Forklift Safety.
Chattanooga, TN, Tel-A-Train Inc., 1987.

0668 Yale Materials Handling Corporation
Yale Basic Operator Training Program.
Flemington, NJ, Yale Materials Handling Corporation, 1987.

0669 Society of Automotive Engineers
Instrument Face Design and Location for Construction and
Industrial Equipment.
SAE J209 JAN87
Warrendale, PA, Society of Automotive Engineers, approved March 1971,
editorial change April 1980, reaffirmed January 1987.

0670 American Society of Mechanical Engineers
Safety Standard for Rough Terrain Forklift Trucks.
ANSI/ASME B56.6-1987
New York, American Society of Mechanical Engineers, approved by the
American National Standards Institute January 23, 1987.

0671 Frick, Richard A. and William G. Chambers
Forklift Accidents Avoidable.
Occupational Health and Safety
v. 56 #3 (March 1987): 70-71.

0672 Malmberg, Charles J., Marvin H. Agee, Gene R. Simons and J. V. Choudry
Prototype Expert System for Industrial Trucks Type Selection.
(Artificial Intelligence Series, Part 4).
Industrial Engineering
v. 19 #3 (March 1987): 58-64.

0673 Staehler, Robert
Loading Dock Safety is Enhanced with Proper Levelers and Restraints.
Occupational Health & Safety
v. 56 #3 (March 1987): 69-71.

0674 American Society of Mechanical Engineers
Safety Standard for Low Lift and High Lift Trucks: Addenda to
ANSI/ASME B56.1-1983.
ANSI/ASME B56.1c-1987
New York, American Society of Mechanical Engineers, approved by the
American National Standards Institute May 13, 1987.

0675 Frick, Richard A. and William G. Chambers
Training Program Aims at Improved Forklift Safety.
Material Handling Engineering
v. 42 #6 (June 1987): 53-55.

0676 Schwind, Gene F.
Stockpicker Trucks: Popular and Productive.
Material Handling Engineering
v. 42 #6 (June 1987): 41-42, 44, 46.

0677 Rix, Richard
Buyers Get Breaks with Lift Trucks.
Materials Management and Distribution
v. 32 #8 (August 1987): 40, 42, 44.

0678 Rix, Richard
Helps You Keep Tabs on Your Lift Trucks.
Materials Management and Distribution
v. 32 #8 (August 1987): 47.

0679 Anonymous
Five-Stage Carpet Mast Ups Lift Truck Capacity.
Modern Materials Handling: 1987 Casebook Directory
v. 41 #11 (Fall 1987): 17.

0680 Anonymous
Hydraulic Lifts Improve Safety and Productivity.
Modern Materials Handling: 1987 Casebook Directory
v. 41 #11 (Fall 1987): 17.

0681 Anonymous
Industrial Truck Equipment: Powered, Non-Powered: Equipment
Selection Guidelines.
Modern Materials Handling: 1987 Casebook Directory
v. 41 #11 (Fall 1987): 27, 29, 31.

0682 Anonymous
Lift Truck Operations Costs Drop 50% in One Year.
Modern Materials Handling: 1987 Casebook Directory
v. 41 #11 (Fall 1987): 21.

0683 Anonymous
Three-Stage Mast Solves Vertical Storage Problems.
Modern Materials Handling: 1987 Casebook Directory
v. 41 #11 (Fall 1987): 21.

0684 Anonymous
Turret Truck System Makes 98% Inventory Accuracy Possible.
Modern Materials Handling: 1987 Casebook Directory
v. 41 #11 (Fall 1987): 15.

0685 Davis, Alan and Dan Dimitriu
5490 Reach Truck: A New Concept in Reach Truck Design.
SAE 871651
Warrendale, PA, Society of Automotive Engineers, September 1987.

0686 Dimitriu, Dan and Alan Davis
Self-Leveling Device for Three Bar Linkage Mechanism Used in
Industrial Equipment.
SAE 871652
Warrendale, PA, Society of Automotive Engineers, September 1987.

0687 Sasaki, Kazuo, Takashi Saida and Shigekata Tabuse
New Toyota 3.0 Liter 4-Cylinder Direct Injection Diesel Engine for
Forklift Trucks and Industrial Uses.
SAE 871642
Warrendale, PA, Society of Automotive Engineers, September 1987.

0688 Schwind, Gene F.
To Bolt or Not to Bolt.
Material Handling Engineering
v. 42 #10 (September 1987): 14.

0689 Society of Automotive Engineers
Performance Criteria for Falling Object Protective Structure
(FOPS) for Industrial Machines.
SAE J1043 SEP87
Warrendale, PA, Society of Automotive Engineers, revised September 1987.

0690 Society of Automotive Engineers
Product Identification Numbering System of Off-Road Work Machines.
SAE J1360 SEP87
Warrendale, PA, Society of Automotive Engineers, revised September 1987.

0691 American Society of Mechanical Engineers
Safety Standard for Industrial Crane Trucks.
ANSI/ASME B56.7-1987
New York, American Society of Mechanical Engineers,
approved by the American National Standards Institute September 2, 1987.

0692 Army Corps of Engineers
Machinery and Mechanized Equipment.
Safety and Health Requirements Manual, EM 385-1-1
Washington, Army Corps of Engineers, revised October 1987, section 18,
pp. 133-142.

0693 Schwind, Gene F.
Can Training Replace Seat Belts?
Material Handling Engineering
v. 42 #10 (October 1987): 22.

0694 Society of Automotive Engineers
Control Locations for Off-Road Work Machines.
SAE J898 OCT87
Warrendale, PA, Society of Automotive Engineers, revised October 1987.

0695 Schechter, Richard
Forklifts - Unsafe at Any Speed.
Trial
v. 23 #11 (November 1987): 43-46.

0696 Anonymous
Supplier Offers Free Booklet on Safety.
Modern Materials Handling
v. 42 #14 (December 1987): 11.

0697 Bell, Linda L.
Moving Materials: Loading Dock Safety.
Best's Safety Directory, 1988 ed.
Oldwick, NJ, A. M. Best Company, 1987, v. 2, pp. 1161-1163.

0698 Schwind, Gene F.
Yards are Changing and so are Handling Methods.
Material Handling Engineering
v. 42 #12 (December 1987): 34-36.

0699 Stout-Wiegand, Nancy
Characteristics of Work-Related Injuries Involving Forklift Trucks.
Journal of Safety Research
v. 18 #4 (Winter 1987): 179-190.

0700 American Society of Mechanical Engineers
Loading Dock Levelers and Dockboards.
ANSI/ASME MH14.1-1987
New York, American Society of Mechanical Engineers, approved by the
American National Standards Institute December 31, 1987.
[Cancelled 1993; replaced by ANSI MH30.1]

0701 Canadian Centre for Occupational Health and Safety
Forklift Trucks: Ergonomics.
Safety Infogram J12
Hamilton, Ontario, Canadian Centre for Occupational Health
and Safety, c.1988.

0702 Cohan, Bud
Lift Truck Fleet Management and Operator Training.
Washington, International Thomson Transport Press, 1988.

0703 Hansson, Jan-Erik
Ergonomic Checklist for Industrial Trucks.
Occupational Medicine: Principles and Practical Applications,
2nd ed., Carl Zenz, ed.
Chicago, Year Book Medical Publishers, Inc., 1988, pp. 971-982.

0704 Kindwall, Eric P.
Carbon Monoxide.
Occupational Medicine: Principles and Practical Applications,
2nd ed., Carl Zenz, ed.
Chicago, Year Book Medical Publishers, 1988, pp. 503-508.

0705 Krames Communications
Your Guide to Forklift Safety: How to Work With and Around Forklifts.
Daly City, CA, Krames Communications, 1988.

0706 National Propane Gas Association
Safe Use of LP-Gas in Industrial Trucks.
NPGA 602-88
Lisle, IL, National Propane Gas Association, 1988.

0707 National Safety Council
Powered Industrial Trucks.
Accident Prevention Manual for Industrial Operations, 9th ed.
Chicago, National Safety Council, 1988, chapter 6, pp. 155-176.

0708 TAPPI
Allowed Elemental Times: Fork and Grab Trucks.
TIS 0412-08 1988, as published in TAPPI 1993-1994 Technical
Information Sheets
Atlanta, TAPPI Press, issued 1988, as published 1993.

0709 Anonymous
Lift Truck Producers Responding Well to Changes in Handling
Philosophy.
Materials Management and Distribution
v. 33 #1 (January 1988): 45-46, 48, 50.

0710 Borsellino, Matt
Rebuilding Lift Trucks.
Materials Management and Distribution
v. 33 #1 (January 1988): 37.

0711 La Prairie, Paul
GM's Lift Truck Maintenance Like a Small Business.
Materials Management and Distribution
v. 33 #1 (January 1988): 20, 22-23.

0712 American Society of Mechanical Engineers B56.1
Subcommittee Excerpts from ASME B56.1 Subcommittee Minutes
Concerning Design of Standup Rider Trucks.
New York, American Society of Mechanical Engineers, compiled for
S. C. Uzgiris, January 18, 1988.

0713 Anonymous
Counterbalanced Lift Trucks: Productivity is the Goal.
Modern Materials Handling
v. 43 #4 (March 1988): 78-81.

0714 Anonymous
Lift Truck Attachments and Accessories: The Right Tools for the
Right Job.
Materials Management and Distribution
v. 33 #4 (April 1988): 44, 47-48, 51-52.

0715 Russey, J. W. and C. J. Sabec
Hydraulics Key to Lift Truck's Success.
Hydraulics & Pneumatics
v. 41 #4 (April 1988): 51-55.

0716 Schwind, Gene F.
Old and New Considerations in Dock Design.
Material Handling Engineering
v. 43 #4 (April 1988): 67-71, 73.

0717 Society of Automotive Engineers
Deflection Limiting Volume: ROPS/FOPS Laboratory
Evaluation.
SAE J397 APR88
Warrendale, PA, Society of Automotive Engineers, revised April 1988.

0718 Society of Automotive Engineers
Identification Terminology of Loaders/Tractors with Forks and
Rough Terrain Forklifts.
SAE J1464 APR88
Warrendale, PA, Society of Automotive Engineers, approved April 1988.

0719 Occupational Safety and Health Administration
Powered Industrial Trucks.
29 CFR 1910.178, effective June 27, 1974, as amended May
28, 1975, October 24, 1978, February 10, 1984 and April 12, 1988
Washington, Occupational Safety and Health Administration,
as published in the Code of Federal Regulations Title 29 Part 1910,
revised through July 1, 1989, pp. 453-462.

0720 Schwind, Gene F.
Carcinogen Awareness Gives Lift Truck Users Caution.
Material Handling Engineering
v. 43 #5 (May 1988): 22.

0721 Ketchpaw, Bruce E.
Dynamic Factors Determine Dock Leveler Capacity.
Plant Engineering
v. 42 #7 (May 12, 1988): 43.

0722 American Society of Mechanical Engineers
Safety Standard for Personnel and Burden Carriers.
ANSI/ASME B56.8-1988
New York, American Society of Mechanical Engineers, approved by the
American National Standards Institute May 17, 1988.

0723 American Society of Mechanical Engineers
Safety Standard for Low Lift and High Lift Trucks.
ANSI/ASME B56.1-1988
New York, American Society of Mechanical Engineers, approved by the
American National Standards Institute May 20, 1988.

0724 Dwyer, John J., Jr.
Smoothing the Freight Flow at the Loading Dock.
Fleet Owner
(June 1988): 103-105.

0725 Gould, Les
Seven Ways to Stop Lift Truck Damage.
Modern Materials Handling
v. 43 #7 (June 1988): 75.

0726 Schwind, Gene F.
1988 Report on Powered Industrial Trucks.
Material Handling Engineering
v. 43 #6 (June 1988): 51-54.

0727 Schwind, Gene F.
Asbestos From Brake Linings Only the Tip of the Iceberg.
Material Handling Engineering
v. 43 #6 (June 1988): 24.

0728 Anonymous
Non-asbestos Brakes Now Standard.
Material Handling Engineering
v. 43 #7 (July 1988): 18.

0729 Anonymous
New Narrow Aisle Trucks Emphasize Productivity.
Modern Materials Handling
v. 43 #9 (August 1988): 103.

0730 Canadian Centre for Occupational Health and Safety
Forklift Trucks: General Safety Rules.
Safety Infogram J01
Hamilton, Ontario, Canadian Centre for Occupational Health
and Safety, August 1988.

0731 Canadian Centre for Occupational Health and Safety
Forklift Trucks: Maintaining Stability.
Safety Infogram J05
Hamilton, Ontario, Canadian Centre for Occupational Health
and Safety, August 1988.

0732 Champion, Vincent
Making Empty Promises.
Cargo Systems
v. 15 #8 (August 1988): 65, 67.

0733 Anonymous
Electric, Solid Tire Lift Truck Has Three Control Packages.
Modern Materials Handling
v. 43 #10 (September 1988): 127.

0734 Hella, F., M. Tisserand and J. F. Schouler
Visibility Requirements for the Driver's Stand of Lift Trucks.
Applied Ergonomics
v. 19 #3 (September 1988): 224-232.

0735 Miller, Barrett C.
Forklift Safety by Design.
Professional Safety
v. 33 #9 (September 1988): 18-21.

0736 Anonymous
Forklift Visibility Improved.
Michigan Roads and Construction
v. 85 #40 (October 1988): 4.

0737 Anonymous
Lift Trucks Designed for the Great Outdoors.
Modern Materials Handling
v. 43 #12 (October 1988): 78-81.

0738 American Society of Mechanical Engineers
Hook-Type Forks and Fork Carriers for Powered Industrial Forklift Trucks.
ANSI/ASME B56.11.4-1988
New York, American Society of Mechanical Engineers,
approved by the American National Standards Institute, October 28, 1988.

0739 Anonymous
Rough-Terrain Forklift.
Michigan Roads and Construction
v. 85 #46 (November 1988): 3.

0740 A. M. Best Company
Controlling Forklift Hazards.
Best's Safety Directory, 1989 ed.
Oldwick, NJ, A. M. Best Company, 1988, v. 2, pp. 1157-1159.

0741 Ketchpaw, Bruce E.
Changes at the Loading Dock.
Professional Safety
v. 33 #12 (December 1988): 11-13.

0742 Society of Automotive Engineers
Force-Deflection Measurements of Cushioned Components of
Seats for Off-Road Work Machines.
SAE J1051 DEC88
Warrendale, PA, Society of Automotive Engineers, revised December 1988.

0743 Society of Automotive Engineers
Operator's Seat Dimensions for Off-Road Self-Propelled Work Machines.
SAE J899 DEC88
Warrendale, PA, Society of Automotive Engineers,
revised December 1988.

0744 Society of Automotive Engineers
Steel Products for Rollover Protective Structures (ROPS) and
Falling Object Protective Structures (FOPS).
SAE J1119 DEC88
Warrendale, PA, Society of Automotive Engineers, revised April 1980,
reaffirmed December 1988.

0745 American Society of Mechanical Engineers
Safety Standard for Rough Terrain Forklift Trucks: Addenda to
ANSI/ASME B56.6-1987.
ANSI/ASME B56.6a-1988
New York, American Society of Mechanical Engineers, approved by the
American National Standards Institute December 24, 1988.

0746 Rook, Martin
Fork in the Road.
Ohio Monitor
v. 62 #1 (January 1989); 21-24.

0747 Anonymous
Are You Training Your Lift Truck Operators?
Modern Materials Handling
v. 44 #1 (January 1989); 7.

0748 Anonymous
Editorial: Forklift Operator Training.
Ohio Monitor
v. 62 #1 (January 1989); 2.

0749 Anonymous
Forklift Trucks: Raising Handling to Loftier Heights.
Materials Management and Distribution
v. 34 #1 (January 1989); 49-54.

0750 Compton, Mike
Code of Practices for FLT Driving.
Cargo Systems International
v. 16 #1 (January 1989); 78.

0751 Anonymous
Forklift Maker Breached Duty to Warn About Actions During
Overturns, Court Rules.
Product Safety & Liability Reporter
v. 17 #1 (January 6, 1989); 6-7.

0752 Anonymous
Lift Trucks: Still the Stalwarts.
Plant Engineering
v. 43 #1 (January 19, 1989); 134-135.

0753 Anonymous
Intelligent Vehicle Controller Improves Orderpicker Productivity.
Modern Materials Handling
v. 44 #2 (February 1989); 128.

00754 Gould, Les
How to Buy a Used Lift Truck.
Modern Materials Handling
v. 44 #3 (March 1989); 75-79.

0755 Gould, Les
Industrial Trucks - Selection and Performance Report.
Modern Materials Handling
v. 44 #3 (March 1989); 64-72.

0756 Gould, Les
Troubleshooting Lift Truck Hydraulic Systems.
Modern Materials Handling
v. 44 #3 (March 1989); 80.

0757 Schwind, Gene F.
One-Size-Fits-All Inhibits Ergonomic Progress.
Material Handling Engineering
v. 44 #3 (March 1989); 27.

0758 Anonymous
Plastic Blocks Give Lift Trucks More Thrust.
Design News
v. 45 #6 (March 27, 1989); 52-53.

0759 Anonymous
Lift Truck Accessories: Don't Throw out the Baby with the Bath Water.
Materials Management and Distribution
v. 34 #4 (April 1989); 51, 53-54, 57.

0760 Rix, Richard
Keeping Tabs on Lift Trucks.
Materials Management and Distribution
v. 34 #4 (April 1989); 38.

0761 Schwind, Gene F.
Time to Get Serious About Lift Truck Operator Certification.
Material Handling Engineering
v. 44 #5 (May 1989); 26.

0762 Anonymous
ITA to OSHA: Require Lift Truck Driver's Education.
Modern Materials Handling
v. 44 #7 (June 1989); 12-13.

0763 Lyons, Bruce
Taking a Load Off.
Occupational Safety & Health Canada
v. 5 #3 (May/June 1989); 66-68, 70, 72, 74.

0764 Auguston, Karen A.
Advanced Technology Drives Today's Lift Trucks.
Modern Materials Handling
v. 44 #7 (July 1989); 67-69.

0765 Gould, Les
Mast Guide Bearings - Essential Performers.
Modern Materials Handling
v. 44 #7 (July 1989); 74.

0766 Schwind, Gene F.
Operator Training Strikes a Responsive Chord.
Material Handling Engineering
v. 44 #7 (July 1989); 27.

0767 Mine Safety and Health Administration
Mobile Equipment: Automatic Warning Devices.
30 CFR 77.410, July 20, 1989
Washington, Mine Safety and Health Administration, as published in 30 CFR
Parts 1 to 199, revised July 1, 1990, p. 633.

0768 Anonymous
Innovative Stand-Up Trucks Offer Versatility.
Modern Materials Handling
v. 44 #8 (August 1989); 80.

0769 Feare, Tom
Lift Truck Training, Part 1.
Modern Materials Handling
v. 44 #8 (August 1989); 54-57.

0770 Frisbie, Thomas
Man Overboard Hazard Laps at Loading Docks.
Traffic Safety
v. #9 #4 (July/August 1989); 12-16.

0771 Kulwicz, Ray
Lift Truck Drivers Need Better Training.
Modern Materials Handling
v. 44 #8 (August 1989); 9.

0772 Bode, Dave
Gehl Continues Expansion of Light Construction Machines.
Diesel Progress: Engines & Drives
v. 55 #11 (September 1989); 38-39, 42-43.

0773 Feare, Tom
Lift Truck Training, Part 2.
Modern Materials Handling
v. 44 #9 (September 1989); 72-76.

0774 Schreiber, P.
Fork-Lift Trucks: Tilting and Operating Stability.
Bundesanstalt für Arbeitsschutz (September 1989)
London, Health and Safety Executive Translation Services, April 1990.

0775 Suprenant, Bruce A.
Getting More from Your Forklift.
Concrete Construction
v. 34 #9 (September 1989); 783, 785-786.

0776 Barrie, Chris
Lift Truck Manoeuvres.
Engineer
v. 269 #6962/6963 (August 31/September 7, 1989); 36-37.

0777 American Society of Mechanical Engineers
Safety Standard for Low Lift and High Lift Trucks: Addenda to
ASME/ANSI B56.1-1988.
ANSI/ASME B56.1a-1989
New York, American Society of Mechanical Engineers, approved by the
American National Standards Institute September 13, 1989.

0778 Truck Trailer Manufacturers Association
Rating of Van Trailer and Container Floors for Lift Truck Loading.
TITMA RP 37-89
Alexandria, VA, Truck Trailer Manufacturers Association, October 3, 1989.

0779 Fahringer, Brenda J.
It's Just a Lift Truck - Or Is It?
Production
v. 101 #11 (November 1989); 88-91.

0780 Transportation Safety Association of Ontario and Industrial
Accident Prevention Association
Operator's Manual: The Safe Use of Fork Trucks.
Toronto, Ontario, Transportation Safety Association of Ontario,
December 1989.

0781 Anonymous
Make a Pitch for Forklift Safety.
Safety Management
#330 (1990); 1-3.

0782 Building Workers Industrial Union
Forklift Safety Notes.
Health and Safety Bulletin 25
Camperdown, Victoria, Worksafe Australia, originally published
by the Building Workers Industrial Union, 1990, republished on the Internet
(www.allette.com.au/worksafe), 1996.

0783 Hakkinen, K. K.
Human Failure or Poor Engineering: The Case of a Fork-Lift Overturn.
Forensic Engineering
v. 2 #1-2 (1990); 251-252.

0784 McCarthy, Roger L. et al.
Comparative Analysis of Industrial Lift Truck (Forklift)
Accidents.
ASME 90-WA/DE-21
New York, American Society of Mechanical Engineers, 1990.

0785 National Safety Council
Dock Plates and Gangplanks.
NSC Data Sheet 1-318-Rev# 90
Chicago, National Safety Council, 1990.

0786 Victoria Occupational Health and Safety Authority
Safe Loading Unloading Procedure.
Share Policies and Procedures PP-34
Camperdown, Victoria, Worksafe Australia, originally published
by the Victoria Occupational Health and Safety Authority, circa
1990, republished on the Internet (www.allette.com.au/worksafe), 1996.

0787 Anonymous
Narrow-Aisle Alternative.
Materials Management and Distribution
v. 35 #1 (January 1990); 21, 23-25, 28.

0788 Anonymous
There's a Forklift to Fit Your Needs.
Materials Management and Distribution
v. 35 #1 (January 1990); 38-44.

0789 Henke, Russ
Sensors are Essential to Emerging Fluid Power Applications.
Hydraulics & Pneumatics
v. 42 #1 (January 1990); 34.

0790 Weston, Janine
One Lift Truck Does the Job of Two.
Modern Materials Handling
v. 45 #1 (January 1990); 70.

0791 Eisma, Teri Lyn
Loading Dock Safety Begins with Design.
Occupational Health & Safety
v. 59 #2 (February 1990); 49-51.

0792 Holzhauer, Ron
Lift Truck Specifications Chart.
Plant Engineering
v. 44 #3 (February 8, 1990); 65-65.

0793 Anonymous
Buy, Lease, or Rent? It all Depends....
Modern Materials Handling
v. 45 #3 (March 1990); 52-56.

0794 Anonymous
Lift Truck Investment Handbook.
Modern Materials Handling
v. 45 #3 (March 1990); 67-87.

0795 Feare, Tom
Lift Truck Training: Readers React.
Modern Materials Handling
v. 45 #3 (March 1990); 57-59.

0796 Gould, Les
Extend the Service Life of Your Lift Chains.
Modern Materials Handling
v. 45 #3 (March 1990); 117.

0797 Anonymous
Lift Truck Accessories to Get the Job Done.
Materials Management and Distribution
v. 35 #4 (April 1990); 45, 47-50.

0798 Anonymous
Lift Truck Mounted Scale, Bar Codes Mean Big Cost Savings.
Modern Materials Handling
v. 45 #6 (May 1990); 87.

0799 Anonymous
Training for Operators Wins Key Proponents.
Modern Materials Handling
v. 45 #6 (May 1990); 13, 17, 19.

0800 Ohio Bureau of Workers' Compensation
Cranes, Mobile Equipment and Powered Industrial Trucks.
Basic Safety and Health Manual for Ohio Industry
Columbus, Ohio Bureau of Workers' Compensation, Division of
Safety and Hygiene, May 1990, chapter 15, pp. 25-26.

0801 Schwind, Gene F.
New Push for Driver Training.
Material Handling Engineering
v. 45 #5 (May 1990); 18.

0802 Schwind, Gene F.
Boom-Type Lift Trucks: Versatility in the Rough.
Material Handling Engineering
v. 45 #6 (June 1990); 60, 63.

0803 Schwind, Gene F.
Employer Training: The Hidden Side of Operator Training.
Material Handling Engineering
v. 45 #6 (June 1990); 25.

0804 Schwind, Gene F.
Operator Training: More Than Just Driving a Lift Truck.
Material Handling Engineering
v. 45 #6 (June 1990); 32-37, 40.

0805 Torok, Douglas B.
Take a Hard Look at Your Lift Truck Tires.
Material Handling Engineering
v. 45 #6 (June 1990); 64, 66, 69.

0806 Witt, Clyde E.
Operator Training: Make It Shop Floor Friendly.
Material Handling Engineering
v. 45 #6 (June 1990); 45-46.

0807 Underwriters Laboratories, Inc.
Electric-Battery-Powered Industrial Trucks: Revision Pages.
UL 583 7th ed., revisions
Northbrook, IL, Underwriters Laboratories, Inc., June 19, 1990.

0808 Banks, John
Building on Expertise.
Cargo Systems International
v. 17 #7 (July 1990); 99, 101, 103, 105.

0809 Banks, John
Only the Fittest?
Cargo Systems International
v. 17 #7 (July 1990); 95, 97.

0810 Occupational Safety and Health Administration
Occupant Protection in Motor Vehicles: Notice of Proposed Rulemaking.
29 CFR 1910.1915, 1917, 1918, 1926 and 1928, proposed
July 12, 1990
Washington, Occupational Safety and Health Administration,
as published in FR 55 #134 (July 12, 1990); 28728-28743.

0811 American Society of Mechanical Engineers
Safety Standard for Rough Terrain Forklift Trucks: Addenda to
ANSI/ASME B56.6-1987.
ANSI/ASME B56.6b-1990
New York, American Society of Mechanical Engineers,
approved by the American National Standards Institute July 19, 1990.

0812 Gould, Les
Are Your Lift Truck Tires Safe?
Modern Materials Handling
v. 45 #9 (August 1990); 69.

0813 Gould, Les
Improve Safety in Basic Handling Operations.
Modern Materials Handling
v. 45 #9 (August 1990); 57-59.

0814 Jones, Allen
Inspecting Forks Might Prove Cheap Insurance for You.
Materials Management and Distribution
v. 35 #8 (August 1990); 87-89.

0815 Rix, Richard
Electronic Wizardry Lets You Program Own Lift Trucks.
Materials Management and Distribution
v. 35 #8 (August 1990); 90-92.

0816 Torok, Douglas B.
Lift Truck Safety: It Pays to Train.
Material Handling Engineering
v. 45 #8 (August 1990); 52, 55, 57-58.

0817 Occupational Safety and Health Administration
Powered Industrial Trucks.
29 CFR 1910.178, effective June 27, 1974, as amended May 28, 1975,
October 24, 1978, February 10, 1984, April 12, 1988 and August 6, 1990
Washington, Occupational Safety and Health Administration,
as published in 29 CFR Parts 1900 to 1910, revised July 1, 1992.

0818 Anonymous
OSHA Safety Plan to Cover Lift Trucks.
Modern Materials Handling
v. 45 #10 (September 1990); 17, 19.

0819 Mahoney, Daniel P.
Carbon Monoxide Exposure from Fork Truck Exhaust.
Professional Safety
v. 35 #9 (September 1990); 15-17.

0820 American Society of Mechanical Engineers
Safety Standard for Low Lift and High Lift Trucks: Addenda to ASME/ANSI B56.1-1988.
ANSI/ASME B56.1b-1990
New York, American Society of Mechanical Engineers, approved by the American National Standards Institute October 11, 1990.

0821 Schwind, Gene F.
Will Lift Truck Operator Training Lower Maintenance Costs? Material Handling Engineering v. 45 #12 (December 1990): 64, 66-67.

0822 International Organization for Standardization
Pallet Stackers and High-Lift Platform Trucks – Stability Tests. ISO 5766, 2nd ed.
Geneva, Switzerland, International Organization for Standardization, December 15, 1990.

0823 Anonymous
Forklifts: Industrial Trucks.
Western Australia Department of Occupational Health, Safety and Welfare (DOHSAW)
Camperdown, Victoria, Worksafe Australia, originally published by the Western Australia Department of Occupational Health, Safety and Welfare, 1991, republished on the Internet (www.allette.com.au/worksafe), 1996.

0824 Anonymous
Systems Integration in Warehousing: Controlling Your Lift Truck Operation. Material Handling Engineering v. 46 (1991): 72, 74.

0825 National Safety Council
Lift Truck Safety.
NSC 15244-0000
Chicago, National Safety Council, 1991.

0826 National Safety Council
Powered Hand Trucks.
NSC Data Sheet I-317 Rev. 91
Chicago, National Safety Council, 1991.

0827 South Australia Department of Labour Fork-Lift Safety. Safeguards, GS 4
Camperdown, Victoria, Worksafe Australia, originally published by the South Australia Department of Labour, 1991, republished on the Internet (www.allette.com.au/worksafe), 1996.

0828 Victoria Department of Labor
Forklifts.
Workplace Safety Guide 6
Camperdown, Victoria, Worksafe Australia, originally published by the Victoria Department of Labor, Occupational Health and Safety Division, 1991, republished on the Internet (www.allette.com.au/worksafe), 1996.

0829 Victoria Department of Labour
Forklifts.
Workplace Safety Guide 7
Camperdown, Victoria, Worksafe Australia, originally published by the Victoria Department of Labour, Occupational Health and Safety Division, 1991, republished on the Internet (www.allette.com.au/worksafe), 1996.

0830 Victoria Department of Labour
Forklifts.
Workplace Safety Guide 8
Camperdown, Victoria, Worksafe Australia, originally published by the Victoria Department of Labour, Occupational Health and Safety Division, 1991, republished on the Internet (www.allette.com.au/worksafe), 1996.

0831 Walls, Douglas
Forklift Operator Training.
NC-OSHA Industry Guide 12
Raleigh, NC, North Carolina Department of Labor, Division of Occupational Safety and Health, Occupational Safety and Health Program, 1991.

0832 Anonymous
Lift Trucks Today.
Materials Management and Distribution v. 36 #1 (January 1991): 31-34.

0833 Anonymous
Measurement of Safety for Lift Trucks.
Material Handling Engineering v. 46 #1 (January 1991): 104.

0834 Anonymous
Productivity Lifters.
Materials Management and Distribution v. 37 #1 (January 1992): 27-29.

0835 Footik, Robert B.
How to Add Value to Basic Material Handling Equipment.
Material Handling Engineering v. 46 #1 (January 1991): 66, 68-69.

0836 Society of Automotive Engineers
Labeling of ROPS and FOPS and OPS.
SAE J1164 JAN91
Warrendale, PA, Society of Automotive Engineers, revised January 1991.

0837 Staehler, Robert
Safety on the Dock is No Accident.
Occupational Health & Safety v. 50 #1 (January 1991): 60-62.

0838 Anonymous
Better Maintenance Improves the Bottom Line. (Industrial Truck Report '91.)
Modern Materials Handling v. 46 #2 (February 1991): 60.

0839 Anonymous
Could Buying a Used Lift Truck Save You Money? (Industrial Truck Report '91.)
Modern Materials Handling v. 46 #2 (February 1991): 62-64.

0840 Anonymous
How to Trim Costs When Replacing Trucks. (Industrial Truck Report '91.)
Modern Materials Handling v. 46 #2 (February 1991): 61.

0841 Anonymous
Use the Optimum Economic Life to Help Cut Costs. (Industrial Truck Report '91.)
Modern Materials Handling v. 46 #2 (February 1991): 58-59.

0842 Anonymous
What You Should Know About Sideshifters.
Modern Materials Handling v. 46 #2 (February 1991): 66.

0843 Counts, Jan
Just in Time to Update Dock Safety.
Safety & Health v. 143 #2 (February 1991): 50-53.

0844 International Organization for Standardization
Counterbalanced Fork-Lift Trucks – Stability Tests. ISO 1074, 2nd ed.
Geneva, Switzerland, International Organization for Standardization, March 15, 1991.

0845 U. S. House of Representatives
Concurrent Resolution [Concerning Powered Industrial Trucks Operator Training].
H. Con. Res. 92
Washington, 102nd Congress, 1st Session, March 6, 1991.

0846 U. S. Senate
Concurrent Resolution [Concerning Powered Industrial Trucks Operator Training].
S. Con. Res. 17
Washington, 102nd Congress, 1st Session, February 6/March 12, 1991.

0847 Anonymous
Rep. Murphy Urges OSHA to Spell Out Training Requirements for Forklift Drivers.
Occupational Safety & Health Reporter v. 20 #40 (March 13, 1991): 1474.

0848 Montwieler, William J.
Correspondence, including form letters, to Cheryl Hansen concerning the 1988 petition with OSHA about amending the federal regulations to require training for forklift operators.
Washington, Letter from William J. Montwieler, Industrial Truck Association, to Cheryl Hansen, Triodyne, Inc., Niles, IL, March 26, 1991.

0849 Anonymous
Wing Seat Deters Injury.
Modern Materials Handling v. 46 #5 (April 1991): 17.

0850 Gould, Les
Get the Right Dock Leveler for the Job.
Modern Materials Handling v. 46 #5 (April 1991): 66-69.

0851 Hella, F., M. Tisserand and J. F. Schouler
Analysis of Eye Movements in Different Tasks Related to the Use of Lift Trucks.
Applied Ergonomics v. 22 #2 (April 1991): 101-110.

0852 Anonymous
New Turret Truck Continues Controls Technology Breakthrough.
Modern Materials Handling v. 46 #6 (May 1991): 77.

0853 Anonymous
Industry First: Lift Truck Powered by Natural Gas.
Modern Materials Handling v. 46 #7 (June 1991): 73.

0854 Schwind, Gene F.
Lift Truck Operator Training for Attachments. (Industrial Truck Report.)
Material Handling Engineering v. 46 #6 (June 1991): 56, 58, 60, 62.

0855 Schwind, Gene F.
What's New in Powered Industrial Trucks. (Industrial Truck Report.)
Material Handling Engineering v. 46 #6 (June 1991): 64-66.

0856 Torok, Douglas B.
Yard Handling: Versatility is the Key (Industrial Truck Report.)
Material Handling Engineering v. 46 #6 (June 1991): 68, 70, 72-73.

0857 Schwind, Gene F.
Give Your Environment a Lift.
Material Handling Engineering v. 46 #6 (July 1991): 18.

0858 Raper, Porter G.
Lift for a Changing Industry – Forklifts Transform to Meet the Demand.
Lifting & Transportation v. 38 #5 (July/August 1991): 12-13, 46.

0859 Schwind, Gene F.
New Dock Leveler Runoff Protection.
Material Handling Engineering v. 46 #8 (August 1991): 22.

0860 Underwriters Laboratories
Industrial Trucks, Internal Combustion Engine-Powered, 8th ed.
UL 558, 8th ed.
Northbrook, Underwriters Laboratories, August 6, 1991.

0861 American Society of Mechanical Engineers
Safety Standard for Rough Terrain Forklift Trucks: Addenda to ANSI/ASME B56.6-1987.
ANSI/ASME B56.6c-1991 DRAFT
New York, American Society of Mechanical Engineers, September(?) 1991.

0862 Anderson, Jay S.
Protect Your Plant Against Lift Truck Damage.
Material Handling Engineering v. 46 #9 (September 1991): 28, 30.

0863 Anonymous
Indicative Tense.
Cargo Systems International v. 18 #9 (September 1991): 59, 61, 63.

0864 Anonymous
No Speeding!
Materials Management and Distribution v. 36 #9 (September 1991): 60.

0865 Compton, Mike
Of Fumes and FLTS.
Cargo Systems International v. 18 #9 (September 1991): 98.

0866 Anonymous
Lift Truck Benefits Become Crystal Clear.
Modern Materials Handling v. 46 #11 (Mid-September 1991): 15.

0867 Underwriters Laboratories
Electric Battery Powered Industrial Trucks.
UL 583, 8th ed.
Northbrook, IL, Underwriters Laboratories, September 26, 1991.

0868 American Society of Mechanical Engineers
Safety Standard for Rough Terrain Forklift Trucks: Addenda to ANSI/ASME B56.6-1987.
ANSI/ASME B56.6c-1991
New York, American Society of Mechanical Engineers, approved by the American National Standards Institute September 27, 1991.

0869 Anonymous
Clean Air Rules Mean Engine Changes.
Modern Materials Handling v. 46 #13 (November 1991): 13, 17.

0870 Gould, Les
LP Gas: New Technology is on the Way.
Modern Materials Handling v. 46 #13 (November 1991): 64.

0871 Anonymous
New Series of Electric Trucks Offers Higher Speeds, Lower Energy Consumption.
Modern Materials Handling v. 46 #14 (December 1991): 75.

0872 Iannaccone, Marybeth
Preventing Accidents and Injuries on the Loading Dock.
Best's Safety Directory, 1992 ed.
Oldwick, NJ, A. M. Best Company, 1991, v. 2, pp. 1359-1361.

0873 Schwind, Gene F.
Two New Electrics Lead in Lift Truck Technology.
Material Handling Engineering v. 46 #12 (December 1991): 33.

0874 Entwisle, H. Frank and Edward A. Moffatt
Lift Truck Overturn Safety.
ASME 92-WA/SAF-1
New York, American Society of Mechanical Engineers, 1992.

0875 Hansson, Jan-Erik
Ergonomic Design of Industrial Trucks and Other Material-Handling Vehicles: Practical Guidelines.
Metodrapport 1992:1
Solna, Sweden, National Institute of Occupational Health, Division of Technical Work Physiology, 1992.

0876 Kozma, Paul
Effective Industrial Lift Truck Safety Training Program.
Canadian Pulp and Paper Association Technical Section, 78th Annual Meeting, Preprints A
Montreal, Quebec, Canadian Pulp and Paper Association, Technical Section, 1992.

0877 National Fire Protection Association
Fire Safety Standard for Powered Industrial Trucks, Including Type Designations, Areas of Use, Maintenance, and Operation.
NFPA 505 1992 (ANSI B56.2)
Quincy, MA, National Fire Protection Association, 1992.

0878 National Safety Council
Powered Industrial Trucks.
Accident Prevention Manual for Business & Industry: Engineering & Technology, 10th ed.
Chicago, National Safety Council, 1992, chapter 11, pp. 337- 360.

0879 National Safety Council
Trucks and Heavy Equipment.
Safeguarding Concepts Illustrated, 6th ed.
Chicago, National Safety Council, 1992, 122-126.

0880 Anonymous
New Lift-Truck Controller Technology Unveiled.
Modern Materials Handling v. 47 #1 (January 1992): 83.

0881 Anonymous
What's Ahead in Materials Handling.
Modern Materials Handling v. 47 #1 (January 1992): 52-58.

0882 Champion, Victor
Big Truck Issues.
Cargo Systems International v. 19 #1 (January 1992): 56-57.

0883 Schwind, Gene F.
New Lift Truck Designed for Owner, Operator Control.
Material Handling Engineering v. 47 #1 (January 1992): 29.

0884 Schwind, Gene F.
New Lift Trucks Do Everything But Drive Themselves.
Material Handling Engineering v. 47 #1 (January 1992): 45-48.

0885 Tharr, Dawn
Evaluation of Techniques for Reducing Diesel Forklift Emissions.
Applied Occupational and Environmental Hygiene v. 7 #1 (January 1992): 17-18.

0886 American Society of Mechanical Engineers
Hook-Type Forks and Fork Carriers for Powered Industrial Forklift Trucks.
ANSI/ASME B56.11.4-1992
New York, American Society of Mechanical Engineers, approved by the American National Standards Institute January 13, 1992.

0887 American Society of Mechanical Engineers
Load Handling Symbols for Powered Industrial Trucks.
ANSI/ASME B56.11.3-1992
New York, American Society of Mechanical Engineers, approved by the American National Standards Institute January 13, 1992.

0888 American Society of Mechanical Engineers
Hook-Type Forks and Fork Carriers for Powered Industrial Forklift Trucks.
ANSI/ASME B56.11.4 DRAFT (1992)
New York, American Society of Mechanical Engineers, January 31, 1992.

0889 American Society of Mechanical Engineers
Load Handling Symbols for Powered Industrial Trucks.
ANSI/ASME B56.11.3 DRAFT
New York, American Society of Mechanical Engineers, January 31, 1992.

0890 American Society of Mechanical Engineers
Safety Standard for Rough Terrain Forklift Trucks: Draft.
ANSI/ASME B56.6-19xx DRAFT
New York, American Society of Mechanical Engineers, February(?) 1992.

0891 Hindley, Martin
Lift Truck Safety.
Cargo Systems International v. 19 #2 (February 1992): 68-69.

0892 Anonymous
Two Products that Cut Diesel Emissions.
Modern Materials Handling v. 47 #3 (March 1992): 109.

0893 Compton, Mike
Lift the Safe Mark.
Cargo Systems International v. 19 #3 (March 1992): 52-53.

0894 Anonymous
Fork Truck Rallies Promote Safety.
Modern Materials Handling v. 47 #5 (April 1992): 27.

0895 Anonymous
Productivity Plus.
Materials Management and Distribution
v. 37 #4 (April 1992): 38-39.

0896 Luton, Dave
Gas vs. Electric: Which Forklift Is Right for You?
Materials Management and Distribution
v. 37 #4 (April 1992): 16.

0897 American Society of Mechanical Engineers
Safety Standard for Manually Propelled High Lift Industrial Trucks.
ANSI/ASME B56.10-1992
New York, American Society of Mechanical Engineers,
approved by the American National Standards Institute April 29, 1992.

0898 Gould, Les
Cut Costs with Good Engine Maintenance.
Modern Materials Handling
v. 47 #6 (May 1992): 58.

0899 Anonymous
Top Issues: Training, Engine Emission Levels.
Modern Materials Handling
v. 47 #7 (June 1992): 12-13.

0900 Schwind, Gene F.
How to Train Lift Truck Operators on Maintenance.
Material Handling Engineering
v. 47 #6 (June 1992): 50-53.

0901 Schwind, Gene F.
Lift Truck Maintenance Lengthens Economic Life.
Material Handling Engineering
v. 47 #6 (June 1992): 44-46, 48-49.

0902 Schwind, Gene F.
New Solid State Control Offers Old Trucks New Tricks.
Material Handling Engineering
v. 47 #6 (June 1992): 25.

0903 Society of Automotive Engineers
Operator Space Envelope Dimensions for Off-Road Machines.
SAE J154 JUN92
Warrendale, PA, Society of Automotive Engineers, revised June 1992.

0904 American Society of Mechanical Engineers
Measurement of Sound Emitted by Low Lift, High Lift, and
Rough Terrain Powered Industrial Trucks.
ASME/ANSI B56.11.5-1992
New York, American National Standards Association, approved
June 10, 1992, issued November 15, 1992.

0905 Kelly, Kevin, Zachary Schiller et al.
How U.S. Forklift Makers Dropped the Goods.
Business Week
#3270 (June 15, 1992): 2 pages.

0906 Gould, Les
Selection Pointers for Pallet Trucks.
Modern Materials Handling
v. 47 #8 (July 1992): 40-41.

0907 Anonymous
Lift Truck Training: Stalled in Low Gear by Inaction, Neglect
Modern Materials Handling
v. 47 #9 (August 1992): 44-46.

0908 Cooke, James Aaron
Saving \$48,000 a Year on Lift-Truck Maintenance.
Traffic Management
(August 1992): 54-56.

0909 American Society of Mechanical Engineers
Evaluation of Visibility from Powered Industrial Trucks.
ASME/ANSI B56.11.6-1992
New York, American National Standards Institute, approved
August 6, 1992, issued November 15, 1992.

0910 Hutter, Gary M. et al.
Warehouse Workers' Headache.
Journal of Occupational Medicine
v. 34 #9 (September 1992): 870-872.

0911 International Organization for Standardization
High-Lift Rider Trucks - Overhead Guards - Specification and Testing.
ISO 6055, 2nd ed.
Geneva, Switzerland, International Organization for
Standardization, March 15, 1997.

0912 International Organization for Standardization
Industrial Trucks Operating in Special Condition of Stacking
with Mast Tilted Forward - Additional Stability Test.
ISO 5767, 2nd ed.
Geneva, Switzerland, International Organization for
Standardization, September 15, 1992.

0913 American Society of Mechanical Engineers
Safety Standard for Low Lift and High Lift Trucks: Addenda to
ANSI/ASME B56.1-1988.
ANSI/ASME B56.10-1992
New York, American Society of Mechanical Engineers,
approved by the American National Standards Institute October 1, 1992.

0914 Army Corps of Engineers
Machinery and Mechanized Equipment.
Safety and Health Requirements, EM 385-1-1
Washington, Army Corps of Engineers, October 1992, sections
16A and 16B, pp. 245-255.

0915 Lane, David A.
How to Specify Lift Trucks For Hazardous Areas.
Material Handling Engineering
v. 47 #10 (October 1992): 93-94, 96.

0916 Schwind, Gene F.
Safety Training for the Unemployed.
Material Handling Engineering
v. 47 #10 (October 1992): 38.

0917 Schwind, Gene F.
Walkie Stackers: Productive Pallet Movers.
Material Handling Engineering
v. 47 #10 (October 1992): 89-90, 92.

0918 Ward, Mark L.
Lift Truck Industry Talks Increased Capacity, Ergonomics.
Lifting & Transportation
v. 39 #9 (November 1992): 23-25.

0919 American Society of Mechanical Engineers
Safety Standard for Rough Terrain Forklift Trucks.
ANSI/ASME B56.6-1992
New York, American Society of Mechanical Engineers, approved by the
American National Standards Institute December 15, 1992.

0920 Anonymous
Obvious Danger Rule Bars Bystander's Claim Under
Mississippi Law, Fifth Circuit Holds.
Product Safety & Liability Reporter
v. 20 #50 (December 18, 1992): 1379.

0921 California (State of)
Industrial Trucks, Tractors, Haulage Vehicles, and Earthmoving
Equipment, Article 25.
Title 8, California Code of Regulations, sections 3649-3669, in
Barclays Official California Code of Regulations, v. 10
South San Francisco, Barclays Law Publishers, 1993.

0922 Department of the Interior, Bureau of Reclamation
Industrial Trucks, 19.12 in Section 19, Mobile and Stationary
Mechanized Equipment.
Construction Safety Standards
Denver, Department of the Interior, Bureau of Reclamation, 1993,
Section 19, p. 191.

0923 Victoria Occupational Health and Safety Authority
Person Struck by Forklift Truck.
Significant Incident Affecting Health and Safety #A26
Camperdown, Victoria, Worksafe Australia, originally published by the
Victoria Occupational Health and Safety Authority, circa 1993,
republished on the Internet (www.alletto.com.au/worksafe), 1996.

0924 Victoria Occupational Health and Safety Authority
Worker Run Over by Reversing Forklift Truck.
Significant Incident Affecting Health and Safety #A1
Camperdown, Victoria, Worksafe Australia, originally published by the
Victoria Occupational Health and Safety Authority, circa 1993,
republished on the Internet (www.alletto.com.au/worksafe), 1996.

0925 Victoria Occupational Health and Safety Authority
Workers Fall From Raised Tines of Forklift Truck.
Significant Incident Affecting Health and Safety #A28
Camperdown, Victoria, Worksafe Australia, originally published by the
Victoria Occupational Health and Safety Authority, circa 1993,
republished on the Internet (www.alletto.com.au/worksafe), 1996.

0926 Workcover Authority of New South Wales
Guide for Fork Lift Truck Drivers, 2nd edition.
Camperdown, Victoria, Worksafe Australia, originally published by the
Workcover Authority of New South Wales, 1993,
republished on the Internet (www.alletto.com.au/worksafe), 1996.

0927 Hindley, Martin
Braking New Ground.
Cargo Systems International
v. 20 #1 (January 1993): 63, 65.

0928 Hindley, Martin
Maintaining FLT Safety Standards.
Cargo Systems International
v. 20 #1 (January 1993): 67, 69.

0929 Swartz, George
Forklift Safety Training.
Professional Safety
v. 38 #1 (January 1993): 16-21.

0930 Compton, Mike
Accidents at Work.
Cargo Systems International
v. 20 #2 (February 1993): 82.

0931 Schwind, Gene F.
What's New in the Lift Truck Marketplace.
Material Handling Engineering
v. 48 #2 (February 1993): 49-50, 52, 54-55.

0932 Gould, Les
Our Test Drive of Toyota's New Three-Wheel, Electric Rider Truck.
Modern Materials Handling
v. 48 #5 (April 1993): 52-53.

0933 Schwind, Gene F.
Clark Brings a Clean Sheet Approach to Narrow Aisles.
Material Handling Engineering
v. 48 #4 (April 1993): 20.

0934 Anonymous
New Trucks Display Improved Ergonomics, Quieter Running.
Modern Materials Handling
v. 48 #6 (May 1993): 95.

0935 Schwind, Gene F.
Hyster Redesigns IC Truck Line: Focuses on Operator.
Material Handling Engineering
v. 48 #5 (May 1993): 25.

0936 Society of Automotive Engineers
Operator Restraint System for Off-Road Work Machines.
SAE J386 JUN93
Warrendale, PA, Society of Automotive Engineers, revised June 1993.

0937 Underwriters Laboratories
Industrial Trucks, Internal Combustion Engine-Powered,
Revision Pages (8th ed.).
UL 558, 8th ed.
Northbrook, Underwriters Laboratories, June 8, 1993.

0938 International Organization for Standardization
Powered Industrial Trucks - Safety Code: Amendment 1.
ISO 3691-1980/A1-1983
Geneva, Switzerland, International Organization for
Standardization, June 15, 1993.

0939 Occupational Health and Safety Administration
Motor Vehicles, Mechanized Equipment, and Marine
Operations (Subpart O). Equipment: Motor Vehicles: Material
Handling Equipment.
29 CFR 1926.600-602, revised through June 30, 1993
Washington, Occupational Safety and Health Administration,
as published in the Code of Federal Regulations Title 29, Part 910,
revised July 1, 1996, pp. 363-366.

0940 American Society of Mechanical Engineers
Hook-Type Forks and Fork Carriers for Powered Industrial
Trucks: Addenda to ANSI/ASME B56.11.4-1992.
ANSI/ASME B56.11.4B-19xx DRAFT
New York, American Society of Mechanical Engineers, July 1993.

0941 Norris, Eileen
So Long, Forklift Cowboy - Hello, Safe Operator.
Safety & Health
v. 148 #1 (July 1993): 58-61.

0942 Burson, Rick
Like a Bull in a China Shop.
Ohio Monitor
v. 65 #3 (July/August 1993): 23-25.

0943 Society of Automotive Engineers
Earthmoving Machines: Method for Locating the Center of Gravity.
SAE J874 SEP93 / ISO 5005-1977
Warrendale, PA, Society of Automotive Engineers, revised September 1993.

0944 Society of Automotive Engineers
Force Deflection Measurements of Cushioned Components of
Seats for Off-Road Work Machines.
SAE J1051 SEP93
Warrendale, PA, Society of Automotive Engineers, revised September 1993.

0945 Society of Automotive Engineers
Operator Protection for General-Purpose Industrial Machines.
SAE J1042 JUN93
Warrendale, PA, Society of Automotive Engineers, revised June 1993.

0946 Anonymous
ITA Forklift Resolution Commands House Majority.
Professional Safety
v. 38 #10 (October 1993): 10-11.

0947 Hitchcock, Nancy A.
Hands-Free Data Collection Blazes New Trail at Pioneer.
Modern Materials Handling
v. 48 #12 (October 1993): 46-48.

0948 Schwind, Gene F.
Is Catastrophe Lurking in Your Storage Area?
Material Handling Engineering
v. 48 #10 (October 1993): 18.

0949 International Organization for Standardization
Fork-Lift Trucks - Hook-on Type Fork Arms and Fork Arm
Carriages - Mounting Dimensions.
ISO 2328, 2nd ed.
Geneva, Switzerland, International Organization for Standardization,
November 1, 1993.

0950 Schwind, Gene F.
Dock Report: Strategies for Safety and Productivity.
Material Handling Engineering
v. 48 #11 (November 1993): 47-48, 50-53.

0951 Schwind, Gene F.
New Way to Identify and Track Lift Truck Batteries.
Material Handling Engineering
v. 48 #11 (November 1993): 30.

0952 Avers, Laura
Clearing the Air.
Ohio Monitor
v. 65 #5 (November/December 1993): 21-26.

0953 Schwind, Gene F.
New Designs for Motorized Hand Trucks.
Material Handling Engineering
v. 48 #12 (December 1993): 26.

0954 American Society of Mechanical Engineers
Safety Standard for Low Lift and High Lift Trucks.
ANSI/ASME B56.1-1993
New York, American Society of Mechanical Engineers,
approved by the American National Standards Institute November 12, 1993.

0955 International Organization for Standardization
Industrial Trucks - Inspection and Repair of Fork Arms in
Service on Fork-Lift Trucks.
ISO 5057, 1st ed.
Geneva, Switzerland, International Organization for Standardization,
December 15, 1993.

0956 American Standards Institute
American National Standard for the Safety, Performance and
Testing of Dock Leveling Devices: Specifications.
ANSI MH30.1-1993 New York, American National Standards
Association, published by the Loading Dock Equipment
Manufacturers Section of the Materials Handling Institute,
approved December 16, 1993.

0957 Australian Capital Territory Occupational Health and Safety
Office
Maintenance of Forklift Trucks and Other Plant.
Hazard Alert 2
Camperdown, Victoria, Worksafe Australia, originally published by the
Australian Capital Territory Occupational Health and Safety Office, 1994,
republished on the Internet (www.alletto.com.au/worksafe), 1996.

0958 Helmer, Gary A.
Fatalities Involving Forklifts and Other Powered Industrial Carriers, 1991-92.
Compensation and Working Conditions
v. 46 #4 (circa 1994): 7-12. Published by the Bureau of Labor Statistics.

0959 Lifschultz, Barry D. and Edmond R. Donoghue
Deaths Due to Forklift Truck Accidents.
Forensic Science International
v. 65 (1994): 121-132.

0960 Queensland Department of Employment...
Fork Lift or Order Picking Truck Operators' Certificates.
Information Sheet 7
Camperdown, Victoria, Worksafe Australia, originally published by the
Queensland Department of Employment, Vocational Education, Training and
Industrial Relations, Division of Workplace Health and Safety, 1994,
republished on the Internet (www.alletto.com.au/worksafe), 1996.

0961 Schwind, Gene F.
Lift Truck Fuels: What's Your Pleasure?
Material Handling Engineering
v. 49 #1 (January 1994): 48-50, 54-57.

0962 Schwind, Gene F.
Seat Belts on Lift Trucks: Who Uses Them?
Material Handling Engineering
v. 49 #1 (January 1994): 24.

0963 Trunk, Christopher and Jim Orlovski
Why Use Dock Lifts?
Material Handling Engineering
v. 49 #1 (January 1994): 59-64.

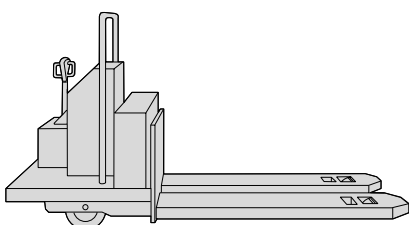


Fig. 5 Motorized Hand/Rider Truck

0964 WorkCover Authority of New South Wales
Maintenance of Forklift Trucks.
WorkCover Safety Alert SA941
Camperdown, Victoria, Worksafe Australia, originally published by the
WorkCover Authority of New South Wales, 1994,
republished on the Internet (www.alletto.com.au/worksafe), 1996.

0965 Schwind, Gene F.
New Caterpillar Trucks Now Built with Ergonomic Features.
Material Handling Engineering
v. 49 #1 (January 1994): 33.

0966 Weinstock, Matthew P.
Raising the Standard for Lift Truck Operators.
Occupational Hazards
(January 1994): 143-144.

0967 Anonymous
Source Selection Guide for Industrial Trucks.
Modern Materials Handling
v. 49 #2 (February 1994): 57.

0968 Anonymous
Basic Handlers: Pallet Trucks, Walkie Stackers and Reach Trucks.
Modern Materials Handling
v. 49 #2 (February 1994): 54-55.

0969 Anonymous
Revised Lift Truck Standard Defines Operator Training.
Modern Materials Handling
v. 49 #2 (February 1994): 52-53.

0970 Anonymous
Special Report: Lift Trucks and Indoor Air Quality.
Modern Materials Handling
v. 49 #2 (February 1994): 48-51.

0971 Anonymous
Troubleshooting Lift Truck Hydraulics.
Modern Materials Handling
v. 49 #2 (February 1994): 56.

0972 Meyer, Ann
Rally Around Forklift Safety.
Today's Supervisor
(February 1994): 8-9.

0973 Schwind, Gene F.
Walkie Built for the Way You Operate.
Material Handling Engineering
v. 49 #2 (February 1994): 26.

0974 Anonymous
Yale Expands F Series Lift Truck Line.
Diesel Progress Engines & Drives
(March 1994): 52.

0975 Canadian Standards Association
Industrial Lift Truck Operator Training.
CSA B335-94
Rexdale, Ontario, Canadian Standards Association, approved March 1994.

0976 McNeely, Mark
New Series of Rough-Terrain Forklifts.
Diesel Progress Engines & Drives
(March 1994): 48.

0977 Schwind, Gene F.
New Enduro Series Lift Trucks Hold High the Continuous Improvement Banner.
Material Handling Engineering
v. 49 #3 (March 1994): 26.

0978 Schwind, Gene F.
Where to Look for Lift Truck Replacement Funds.
Material Handling Engineering
v. 49 #3 (March 1994): 55-56, 58-59.

0979 Gould, Les
What You Should Know About Training Your Operators.
Modern Materials Handling
v. 49 #4 (April 1994): 46-47.

0980 Knill, Bernie et al.
It Pays to Know Ergonomics Equipment.
Material Handling Engineering
v. 49 #4 (April 1994): 58-63.

0981 Larsson, Tore J. and George Rechnitzer
Forklift Injuries: Analysis of Severe and Fatal Occupational
Injuries, Critical Incidents and Priorities for Prevention.
Safety Science
v. 17 #4 (April 1994): 275-289.

0982 Schwind, Gene F.
Innovative, Twin Drive, 3-Wheel Electric Truck.
Material Handling Engineering
v. 49 #4 (April 1994): 30.

0983 Schwind, Gene F.
Safety and Ergonomics: Watch That Lift Truck Exhaust.
Material Handling Engineering
v. 49 #4 (April 1994): 36.

0984 Schwind, Gene F.
Time to Train Those Temporary Summer Workers.
Material Handling Engineering
v. 49 #5 (May 1994): 16.

0985 Schwind, Gene F.
New Lift Trucks: Quality, Features and Value.
Material Handling Engineering
v. 49 #6 (June 1994): 45-55.

0986 Anonymous
Man-up Orderpicker Trucks Increase Storage Density.
Modern Materials Handling
v. 49 #8 (July 1994): 55.

0987 Anonymous
Three-Wheeler Lift Truck Works in Tight Quarters.
Modern Materials Handling
v. 49 #8 (July 1994): 75.

0988 Schwind, Gene F.
Lift Truck Training Regulations Coming – Slowly.
Material Handling Engineering
v. 49 #7 (July 1994): 18.

0989 Anonymous
Powered Mobile Equipment and Accessories (Directory).
Material Handling Engineering
v. 49 #9 (1994-1995 Directory Issue): Section 1, pp. B.21-B.38; B.15-B.16.

0990 American Society of Mechanical Engineers
Measurement of Sound Emitted by Low Lift, High Lift, and
Rough Terrain Powered Industrial Trucks, addenda.
ASME/ANSI B56.11.5a-1994
New York, American National Standards Association, approved
August 30, 1994, issued November 15, 1994.

0991 Truck Trailer Manufacturers Association
Rating of Van Trailer and Container Floors for Lift Truck Loading.
TTMA RP 37-94
Alexandria, VA, Truck Trailer Manufacturers Association, September 1, 1994.

0992 Anonymous
New Service Controls Lift Truck Maintenance Costs.
Material Handling Engineering
v. 49 #11 (October 1994): 13.

0993 Colquhoun, Ross K.
OSHA Update: Lift Truck Operator Training.
Material Handling Engineering
v. 49 # 11 (October 1994): 47-48.

0994 Schwind, Gene F.
No Proof of Driver Training Could be Hazardous to Your Company.
Material Handling Engineering
v. 49 #11 (October 1994): 13.

0995 Schwind, Gene F.
Total Operator Training Equals Equipment Plus Environment.
Material Handling Engineering
(October 1994): 41-44.

0996 Society of Automotive Engineers
Control Locations for Off-Road Work Machines.
SAE J898 OCT94 / ISO 6682
Warrendale, PA, Society of Automotive Engineers, revised October 1994.

0997 Wilcox, Stephen B.
Why Forklifts Need Signaling Devices.
Ergonomics in Design
(October 1994): 17-20.

0998 Schwind, Gene F.
Docks: Opening the Door to a Productive Plant.
Material Handling Engineering
v. 49 #12 (November 1994): 51-54, 57-58.

0999 Schwind, Gene F.
New Four-Wheel Electrics Use Advanced Control Technology.
Material Handling Engineering
v. 49 #12 (November 1994): 27.

1000 Crockett, Jennifer D., Richard G. Murray and David A. Miller
Stand-Up Rider Fork Lift Truck Operator Safety.
Safety Engineering and Risk Analysis 1995 (SERA v. 4)
New York, American Society of Mechanical Engineers, 1995.

1001 Darcy, C. M., M. E. Lovell and J. W. Metcalfe
Injuries from Forklift Trucks.
Injury
v. 26 #4 (1995): 285.

1002 J. J. Keller and Associates
Forklift Safety: An Operator Training Program. Course Preparation Guide.
Neenah, WI, J. J. Keller & Associates, 1995.

1003 J. J. Keller and Associates
Forklift Safety: An Operator Training Program. Employee Handbook.
Neenah, WI, J. J. Keller & Associates, 1995.

1004 J. J. Keller and Associates
Forklift Safety: An Operator Training Program. Instructor's Guide.
Neenah, WI, J. J. Keller & Associates, 1995.

1005 J. J. Keller and Associates
Forklift Safety: An Operator Training Program. Training Log.
Neenah, WI, J. J. Keller & Associates, 1995.

1006 Schwind, Gene F.
Lift Trucks: Still the Central Focus of Warehousing.
Material Handling Engineering
v. 50 #2 (February 1995): 47-50.

1007 Landberg, Lynn
Rough-Terrain Forklifts Reach New Heights.
Construction Equipment
v. 91 #3 (March 1995): 94-95, 98.

1008 Landberg, Lynn
Gallery of Rough Terrain Forklifts.
Construction Equipment
v.91 #3 (March 1995): 102, 104, 106, 108, 110-111.

1009 Schwind, Gene F.
Lift Truck Forks: Maintenance and Inspection.
Material Handling Engineering
v. 50 #3 (March 1995): 28-29.

1010 Occupational Safety and Health Administration
Powered Industrial Truck Operator Training. Proposed Rule.
Federal Register
v. 60 #49 (March 14, 1995): 13782-13831.

1011 Schwind, Gene F.
New Lift Truck from a New Company.
Material Handling Engineering
v. 50 #4 (April 1995): 32.

1012 Thompson, Jennifer
Equipment Hazards – Safety Rules for People Working Around
Industrial Lift Trucks.
Safety Meeting Outline SMO 95-0402
Seattle, Eagle Insurance Group, as published on the Internet
(www.eig.com), April 1995.

1013 Schwind, Gene F.
Electronics Make New Electric One Tough Truck.
Material Handling Engineering
v. 50 #5 (May 1995): 27.

1014 Schwind, Gene F.
OSHA Says: Train Lift Truck Operators – and More!
Material Handling Engineering
v. 50 #5 (May 1995): 12.

1015 Anonymous
Time to Re-Evaluate Operator Safety Training: OSHA Forklift Rule Nears.
Worksheet
Oak Brook, IL, Warehousing Education and Research Council,
as published on the Internet (www.werc.org), June 1995.

1016 Anonymous
Lift Trucks at Fishery are as Dependable as Tides.
Material Handling Engineering
v. 50 #7 (July 1995): 84.

1017 International Organization for Standardization
Fork-Lift Trucks – Fork Arms – Technical Characteristics and
Testing.
ISO 2330, 2nd ed.
Geneva, Switzerland, International Organization for
Standardization, July 1, 1995.

1018 Schwind, Gene F.
Narrow Aisle Trucks: Power and Control to the Operator.
Material Handling Engineering
v. 50 #7 (July 1995): 49-53.

1019 Schwind, Gene F.
New Proposed OSHA Rule Has Some Surprises.
Material Handling Engineering
v. 50 #7 (July 1995): 22.

1020 Schwind, Gene F.
Operator Training: Narrow Aisle Trucks.
Material Handling Engineering
v. 50 #7 (July 1995): 55-56.

1021 Schwind, Gene F.
What are the Limits of Operator Training?
Material Handling Engineering
v. 50 #7 (July 1995): 18.

1022 Schwind, Gene F.
As Alike as Lift Trucks Look, They're Not.
Material Handling Engineering
v. 50 #8 (August 1995): 18.

1023 Schwind, Gene F.
Narrow Aisle Truck Sets New Performance Standard.
Material Handling Engineering
v. 50 #10 (September 1995): 24.

1024 Anonymous
World War II: Looking Back 50 Years.
Material Handling Engineering
v. 50 #11 (October 1995): 148-149.

1025 Krames Communications
Lift Trucks: Defensive Driving.
Daly City, CA, Krames Communications, October 1995.

1026 Schwind, Gene F.
Lift Trucks Making Changes for 2000.
Material Handling Engineering
v. 50 #11 (October 1995): 88-92, 94, 96, 107-108, 110.

1027 Society of Automotive Engineers
Deflection Limiting Volume – Protective Structures Laboratory
Evaluation.
SAE J397 OCT95
Warrendale, PA, Society of Automotive Engineers, revised October 1995.

1028 Kittleson, Charlie
Equipment Hazards – Safe Operation of Forklifts.
Safety Meeting Outline SMO 95-1004
Seattle, Eagle Insurance Group, as published on the Internet
(www.eig.com), October 1995.

1029 Anonymous
Standardizing Lift Truck Fleet and Outsourcing Maintenance Help
Monsanto Cut Costs.
Material Handling Engineering
v. 50 #11 (November 1995): 74.

1030 Schwind, Gene F.
When Lift Trucks are Innocent Bystanders.
Material Handling Engineering
v. 50 #11 (November 1995): 20.

1031 Schwind, Gene F.
How to Back a Lift Truck.
Material Handling Engineering
v. 50 #12 (December 1995): 16.

1032 Schwind, Gene F.
New Electric Truck Expands Performance and Safety.
Material Handling Engineering
v. 50 #12 (December 1995): 24.

1033 Anonymous
Working Safely on Loading Docks.
No location, Amot Ogden Medical Center, as published on the
Internet (www.aomc.org), 1996.

1034 California Safety and Health Standards Board
Initial Statement of Reasons: Operating Rules for Industrial
Trucks... [Proposed change to California Code of Regulations
Title 8, 3664].
Sacramento, California Occupational Safety and Health Standards
Board, as published on the Internet, circa 1995-1996.

1035 Malchaire, J., A. Plette and I. Muller
Vibration Exposure on Fork-Lift Trucks.
Annals of Occupational Hygiene
v. 40 #1 (1996): 79-91.

1036 SEACO Insurance Company
Safety Tips for Your Industry: Focus on Forklifts.
Framingham, MA, SEACO Insurance Company, as published
on the Internet (www.seacoins.com), 1996.

1037 Occupational Safety and Health Administration
Powered Industrial Truck Operator Training. Proposed Rule:
Reopening of Comment Period, Public Hearing.
Federal Register
v. 61 (January 30, 1996), pp. 3092 and following, as reprinted
in Occupational Safety and Health Reporter v. 25 #34
(January 31, 1996): 1175-1198.

1038 Anonymous
Lift Truck Rallies Promote Safety.
Modern Materials Handling
v. 51 #2 (February 1996): 24.

1039 Anonymous
Source Selection Chart: Industrial Trucks.
Modern Materials Handling
v. 51 #2 (February 1996): 51.

1040 Anonymous
Tackling Hydraulic Pump Problems.
Modern Materials Handling
v. 51 #2 (February 1996): 50.

1041 Auguston, Karen
Industrial Lift Truck Accidents.
Modern Materials Handling
v. 51 #2 (February 1996): 42-47.

1042 Gould, Les
Up Productivity with the Right Orderpicker Truck.
Modern Materials Handling
v. 51 #2 (February 1996): 48-49.

1043 Kulwiec, Ray
Needed: Greater Lift Truck Safety.
Modern Materials Handling
v. 51 #2 (February 1996): 3.

1044	Schwind, Gene F. Clark Offers Genesis Truck with Hydrostatic Drive. Material Handling Engineering v. 51 #2 (February 1996): 26.	1063	Loderstedt, Robert L. III Lift Truck Operator Training: Don't be a Chickent Modern Materials Handling v. 51 #9 (July 1996): 21.	1082	General Services Administration Truck, Lift, Fork, Electric, Narrow Aisle Reach, Stand-Up Operator, 3,000 Pound Capacity at 24 Inch Load Center, 205 Inch Minimum Lift. Commercial Item Description. A-A-58087 (1996); replacing MIL-T-87998 (1990) Washington, General Services Administration, November 29, 1996.
1045	Schwind, Gene F. Lift Truck Injuries: Can We Reduce Them? Material Handling Engineering v. 51 #2 (February 1996): 16.	1064	Schwind, Gene F. At OSHA Hearings Some Miss the Point. Material Handling Engineering v. 51 #7 (July 1996): 18.	1083	General Services Administration Truck, Lift, Fork, Electric, Sit Down, Solid Tires, 3,000 Pounds Capacity at 24 Inch Load Center, 185 Inch Minimum Lift. Commercial Item Description. A-A-58086 (1996); replacing MIL-T-87997 (1990) Washington, General Services Administration, November 29, 1996.
1046	Payton, Rob Material Handling Lift Trucks. Safety Meeting Outline SMO 96-0204 Seattle, Eagle Insurance Group, as published on the Internet (www.eig.com), February 1996.	1065	Schwind, Gene F. Batteries and Chargers: Key to Lift Truck Maintenance. Material Handling Engineering v. 51 #7 (July 1996): 57-59.	1084	General Services Administration Truck, Lift, Fork, Electric, Walkie Reach, 3,000 Pounds Capacity, 150 Inch Minimum Lift. Commercial Item Description. A-A-58085 (1996); replacing MIL-T-83816 (1990) Washington, General Services Administration, November 29, 1996.
1047	McCammon, Jane B., Lyle E. McKenzie and Michele Heinzman Carbon Monoxide Poisoning Related to the Indoor Use of Propane-Fueled Forklifts in Colorado Workplaces. Applied Occupational and Environmental Hygiene v. 11 #3 (March 1996): 192-198.	1066	Anonymous Forklift: Worker Struck by Backing Forklift... Product Liability Law Reporter v. 15 #7 (August 1996): 128.	1085	Schwind, Gene F. Every Attachment Needs Special Training. Material Handling Engineering v. 51 #13 (December 1996): 14.
1048	McNeely, Mark High Times for Rough Terrain Lift Trucks. Diesel Progress Engines and Drives v. 62 #2 (March 1996): 10, 12, 14, 16-17.	1067	McNeely, Mark Poclain's New Forklift Transmission. Diesel Progress Engines and Drives v. 62 #8 (August 1996): 94, 96.	1086	Schwind, Gene F. Improved Attachments Challenge Users. Material Handling Engineering v. 51 #13 (December 1996): 43-46.
1049	Schwind, Gene F. Stack High in Very Narrow Aisles. Material Handling Engineering v. 51 #3 (March 1996): 26.	1068	Schwind, Gene F. New Truck Series Offers Unusual Features. Material Handling Engineering v. 51 #9 (September 1996): 30.	1087	Zeno, Dick Reducing Forklift Truck Accidents. Fabricator v. 26 #11 (December 1996): 50-51.
1050	Occupational Safety and Health Administration Powered Industrial Trucks. 29 CFR 1910.178, effective June 27, 1974, as amended May 28, 1975, October 24, 1978, February 10, 1984, April 12, 1988, August 6, 1990, and March 7, 1996 Washington, Occupational Safety and Health Administration, as published in the Code of Federal Regulations Title 29 Part 1910, revised through July 1, 1996, pp. 501-510.	1069	Army Corps of Engineers Machinery and Mechanized Equipment: General (and) Guarding and Safety Devices. Safety and Health Requirements Manual, EM 385.1-1 Washington, Army Corps of Engineers, revised September 3, 1996, Sections 16A and 16B, pp. 247-258.	1088	Estabillio, Doan Forklift Safety: General Operating Rules. Safety Meeting Outline SMO 96-1205 Seattle, Eagle Insurance Group, as published on the Internet (www.eig.com), December 1996.
1051	Miller, Jeffrey W. Focus on Industrial Trucks and Spinal Complaints. Workplace Economics (March/April 1996): 17-21.	1070	California (State of) Industrial Trucks, Tractors, Haulage Vehicles, and Earthmoving Equipment, Article 25. Title 8, California Administrative Code, sections 3649-3669, in Barclays Official California Code of Regulations, volume 10 San Francisco, Barclays Law Publishers, revised through September 27, 1996.	1089	International Organization for Standardization Powered Industrial Trucks and Tractors: Brake Performance and Component Strength. ISO 6292, 1st ed. Geneva, Switzerland, International Organization for Standardization, December 15, 1996.
1052	Ross, Sean D. Specifying Hydraulic Power Brake Systems for Forklifts. Diesel Progress Engines and Drives v. 62 #4 (April 1996): 64-65.	1071	Anonymous Forklift: Worker Struck by Backing Vehicle... Product Liability Law Reporter v. 15 #8 (October 1996): 150-151.	1090	National Safety Council Industrial Powered Trucks. Accident Prevention Manual for Industrial Operations: Engineering and Technology, 11th ed. Itasca, IL, National Safety Council, chapter 17, pp. 506-528.
1053	Worksafe Western Australia Guidelines on the Training Requirements for Fork-Lift Operators. Worksafe Western Australia SafetyLine, Internet Edition (www.wt.com.au/safetyline) No location, Worksafe Western Australia, May 1996.	1072	Anonymous Hydrostatic Rough-Terrain Forklift Designed for Easy Truck Mounting. Diesel Progress Engines and Drives v. 62 #7 (July 1996): 24.	1091	Swartz, George Forklift Safety: A Practical Guide to Preventing Powered Industrial Truck Incidents and Accidents. Rockville, MD, Government Institutes, 1997.
1054	Crane, Magan A. Lift Truck Operator Training: Needed and Near. Material Handling Engineering v. 51 #6 (June 1996): 49-50.	1073	Mercer, Mike Air/Fuel Ratio Controller Designed to Reduce CO Emissions from Forklift Engines. Diesel Progress Engines and Drives v. 62 #10 (October 1996): 59.	1092	Schwind, Gene F. Ergonomics Drives Narrow Aisle Truck. Material Handling Engineering v. 52 #1 (January 1997): 26.
1055	Hall, Larry Forklift Fatalities. Safety Meeting Outline SMO 96-0601 Seattle, Eagle Insurance Group, as published on the Internet (www.eig.com), June 1996.	1074	General Services Administration Truck, Lift, Fork, Diesel Engine, Pneumatic-Tired, 4,000 Pounds Capacity at 24 Inch Load Center. Commercial Item Description. A-A-58080 (1996) Washington, General Services Administration, October 18, 1996.	1093	Anonymous AGV's Provide Manufacturing Flexibility at Chesebrough Pond. Modern Materials Handling v. 52 #2 (February 1997): 51, 53.
1056	Schwind, Gene F. LP-Gas Requires Common Sense Training. Material Handling Engineering v. 51 #6 (June 1996): 18.	1075	General Services Administration Truck, Lift, Fork, Diesel-Engine-Driven, Pneumatic-Tired, 4-Wheel Drive, Rough Terrain, 6,000 Pounds Capacity at 24 Inch Load Center. Commercial Item Description. A-A-58083 (1996) Washington, General Services Administration, October 18, 1996.	1094	Anonymous Improve Battery Handling Safety. Modern Materials Handling v. 52 #2 (February 1997): 42.
1057	Schwind, Gene F. New Lift Trucks. Material Handling Engineering v. 51 #6 (June 1996): 40-42, 44-46.	1076	General Services Administration Truck, Lift, Fork, Diesel-Engine-Driven, Pneumatic-Tired, 6,000 Capacity at 24 Inch Load Center. Commercial Item Description. A-A-58079 (1996) Washington, General Services Administration, October 18, 1996.	1095	Anonymous Picking the Right Attachment for the Job. Modern Materials Handling v. 52 #2 (February 1997): 38-40.
1058	Occupational Safety and Health Administration Unauthorized Modification of a Forklift Carriage Assembly. OSHA Hazard Information Bulletin Washington, Occupational Safety and Health Administration, June 20, 1996.	1077	General Services Administration Truck, Lift, Fork, Diesel-Engine-Driven, Pneumatic-Tired, 8,000 Pounds Capacity at 24 Inch Load Center. Commercial Item Description. A-A-58082 (1996) Washington, General Services Administration, October 18, 1996.	1096	Anonymous Tuning LP-Gas-Powered Lift Trucks for Top Performance. Modern Materials Handling v. 52 #2 (February 1997): 36-37.
1059	Underwriters Laboratories Electric Battery Powered Industrial Trucks. UL 583, 9th ed. Northbrook, IL, Underwriters Laboratories, June 26, 1996.	1078	General Services Administration Truck, Lift, Fork, Electric, Front/Side Loading, Sit-Down Operator, 4,000 Pounds Capacity, EE Rated. Commercial Item Description. A-A-58081 (1996) Washington, General Services Administration, October 18, 1996.	1097	Gould, Les Inside Look at Lift Trucks and Liability. Modern Materials Handling v. 52 #2 (February 1997): 34-35.
1060	General Services Administration Truck, Lift, Fork, Diesel-Engine-Driven, Pneumatic-Tired, 15,000 Pounds Capacity at 24 Inch Load Center. Commercial Item Description. A-A-58067 (1996) Washington, General Services Administration, June 28, 1996.	1079	Anonymous Fatality Shows Dangers of Unauthorized Changes to Forklift Trucks. Lifting and Transportation International v. 43 #8 (October/November 1996): 18-19.	1098	Knill, Bernie Home Depot: Ergonomics Tools for Home Improvement. Material Handling Engineering v. 52 #3 (March 1997): 46-49.
1061	General Services Administration Truck, Lift, Fork, Electric, Order Selector, High Lift Rider, 3,000 Pounds Capacity, 193 Inch Minimum Lift. Commercial Item Description. A-A-58069 (1996); replacing MIL-T-83809 (1984) Washington, General Services Administration, June 28, 1996.	1080	Canadian Standards Association Industrial Lift Truck Operator Training: General Instruction #2 (Revision pages for CSA B335-94) CSA B335-94: 1996 revisions Rexdale, Ontario, Canadian Standards Association, approved November 1996.	1099	Schwind, Gene F. New Choices in Lift Truck Attachments. Material Handling Engineering v. 52 #4 (April 1997): 30.
1062	General Services Administration Truck, Lift, Fork, Electric, Sit Down, Solid Tires, 6,000 Pounds Capacity at 24 Inch Load Center, 180 Inch Minimum Lift Height. Commercial Item Description. A-A-58068 (1996) Washington, General Services Administration, June 28, 1996.	1181	Schwind, Gene F. New Look at Lift Truck Acquisition. Material Handling Engineering v. 51 #12 (November 1996): 79-83.	1100	Schwind, Gene F. OSHA Postpones Regulations - Again. Material Handling Engineering v. 52 #5 (May 1997): 20.

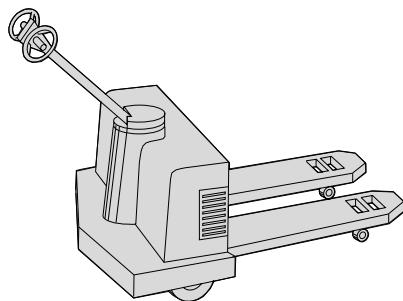


Fig. 6 Motorized Hand Truck/Pallet Truck

SAFETY BRIEF

August 1997 - Volume 13, No. 1

Editor: Paula L. Barnett

Illustrated and Produced by

Triodyne Graphic Communications Group

Copyright © 1997 Triodyne Inc. All Rights Reserved. No portion of this publication may be reproduced by any process without written permission of Triodyne Inc., 5950 West Touhy Avenue, Niles, IL 60714-4610 (847) 677-4730. Direct all inquiries to: *Library Services*.