



US00D421101S

United States Patent [19]
Barnett

[11] **Patent Number: Des. 421,101**
[45] **Date of Patent: ** Feb. 22, 2000**

[54] **DRAIN CONSTRUCTION**

3,343,774 9/1967 Pryor 4/292

[76] **Inventor: Ralph L. Barnett, 5950 W. Touhy Ave., Niles, Ill. 60714-4610**

Primary Examiner—Alan P. Douglas
Assistant Examiner—Reid Hecker
Attorney, Agent, or Firm—Jack Shore

[**] **Term: 14 Years**

[57] **CLAIM**

[21] **Appl. No.: 29/101,294**

The ornamental design for a drain construction, as shown and described.

[22] **Filed: Feb. 26, 1999**

DESCRIPTION

[51] **LOC (7) Cl. 23-01**

[52] **U.S. Cl. D23/261**

[58] **Field of Search D23/53, 142, 153, D23/154, 155, 157, 260, 261; D32/56; 4/286, 292, 507, 650, 679; 210/163, 164; 404/2-4**

FIG. 1 is a perspective view of a drain construction showing my new design;
FIG. 2 is a top view thereof;
FIG. 3 is a bottom view thereof; and,
FIG. 4 is a cross-sectional view taken along line 4—4 in FIG. 2.

[56] **References Cited**

The broken line showing of environment is for illustrative purposes only and forms no part of the claimed design.

U.S. PATENT DOCUMENTS

2,117,887 5/1938 Holland 210/163
2,121,613 6/1938 Schultz 210/163

1 Claim, 1 Drawing Sheet

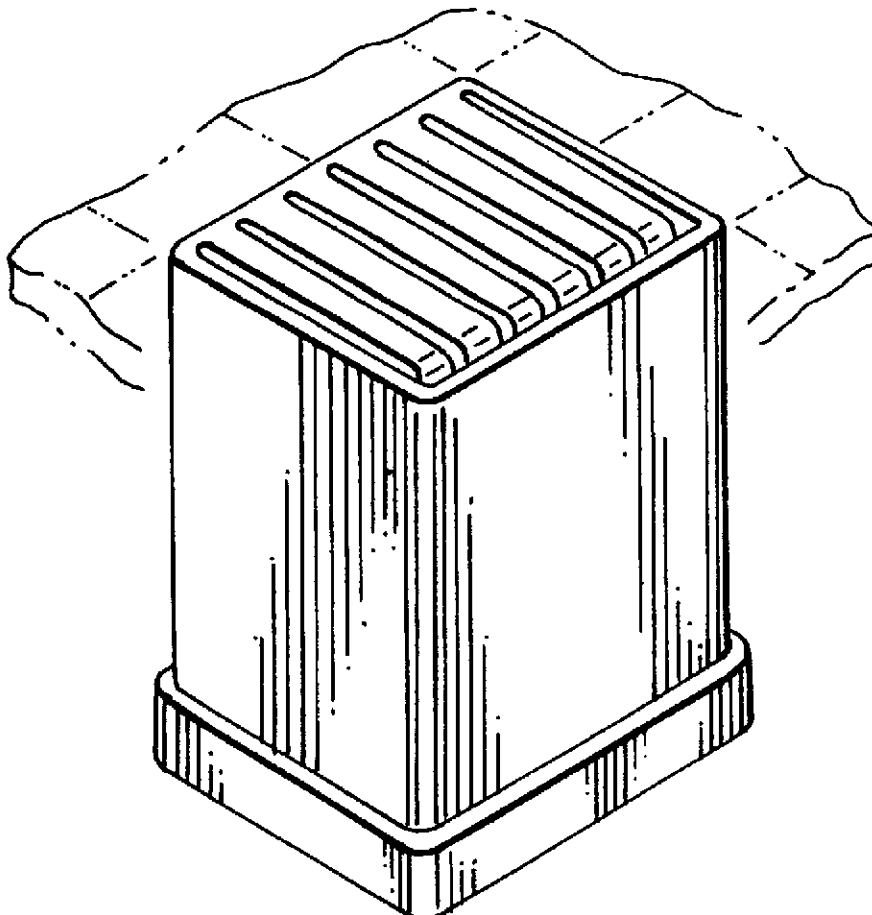


FIG. 1

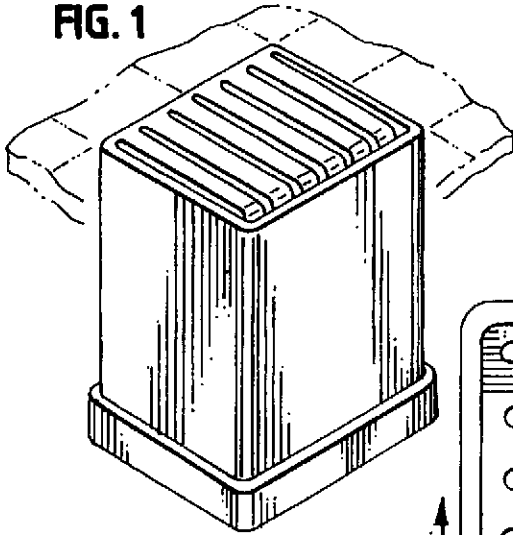


FIG. 2

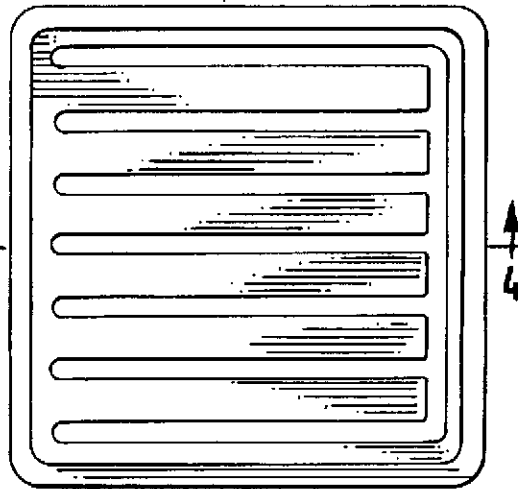


FIG. 3

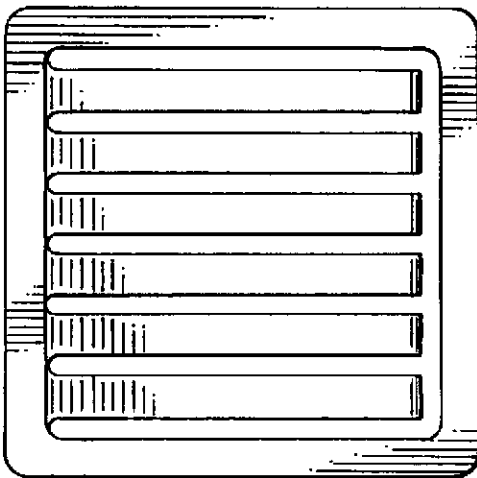


FIG. 4

