



US00D421102S

**United States Patent** [19]  
**Barnett**

[11] **Patent Number: Des. 421,102**  
[45] **Date of Patent: \*\* Feb. 22, 2000**

[54] **DRAIN CONSTRUCTION**

4,126,404 11/1978 Ferns ..... 404/4

[76] **Inventor: Ralph L. Barnett, 5950 W. Touhy Ave., Niles, Ill. 60714-4610**

*Primary Examiner*—Alan P. Douglas  
*Assistant Examiner*—Reid Hecker  
*Attorney, Agent, or Firm*—Jack Shore

[\*\*] **Term: 14 Years**

[57] **CLAIM**

[21] **Appl. No.: 29/101,296**

The ornamental design for a drain construction, as shown and described.

[22] **Filed: Feb. 26, 1999**

**DESCRIPTION**

[51] **LOC (7) Cl. .... 23-01**

[52] **U.S. Cl. .... D23/261**

[58] **Field of Search .... D25/53, 142, 153, D25/154, 155, 157; D32/56; D23/260, 261; 4/286, 292, 507, 650, 679; 210/163, 164; 404/2, 3, 4**

FIG. 1 is a perspective view of a drain construction showing my new design;  
FIG. 2 is a top view thereof;  
FIG. 3 is a bottom view thereof; and,  
FIG. 4 is a cross-sectional view taken along line 4—4 in FIG. 2.

[56] **References Cited**

The broken line showing of environment is for illustrative purposes only and forms no part of the claimed design.

**U.S. PATENT DOCUMENTS**

1,577,464 3/1926 High ..... 210/164  
1,914,780 6/1933 Lichamer ..... 4/679

**1 Claim, 1 Drawing Sheet**

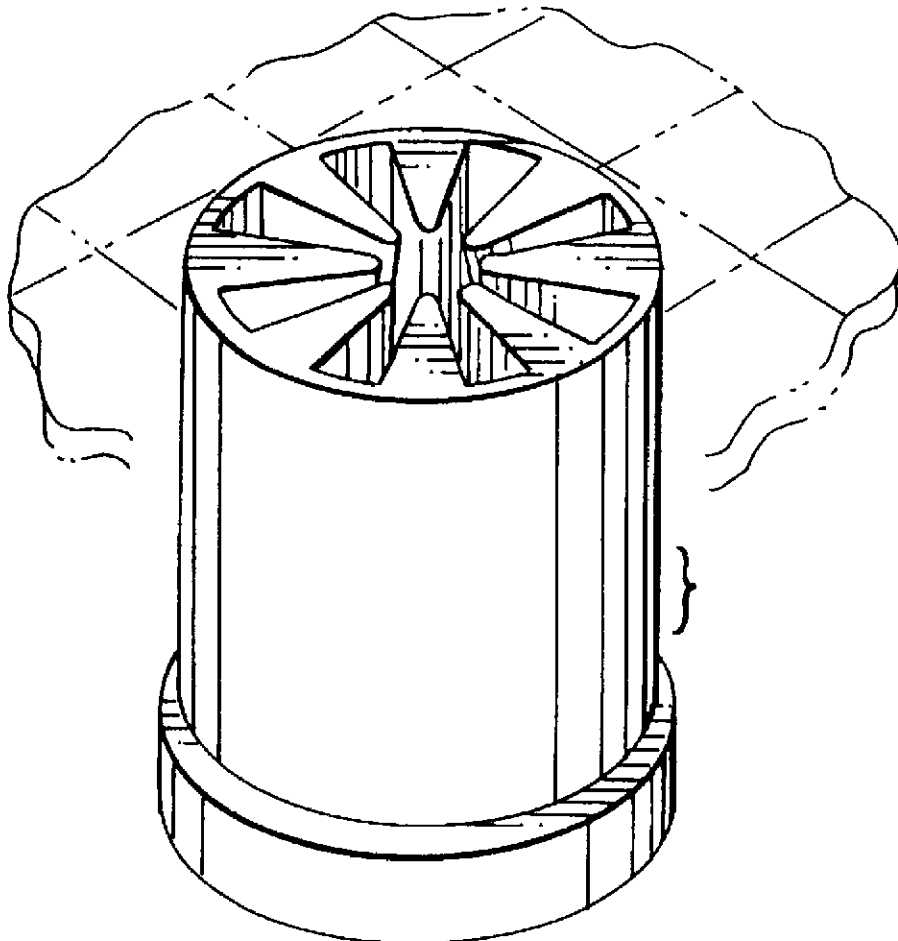


FIG. 1

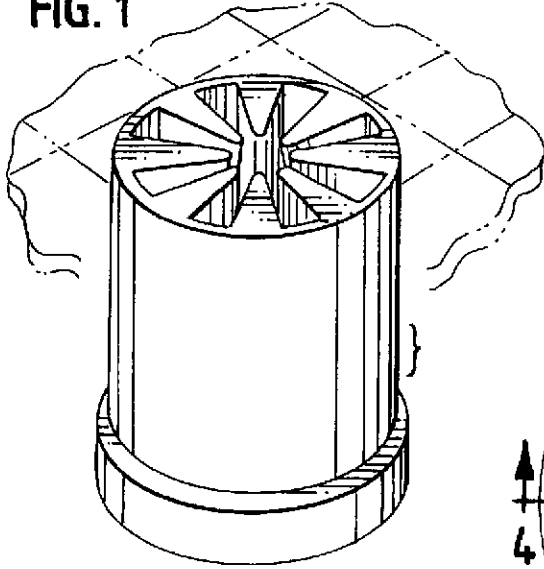


FIG. 2

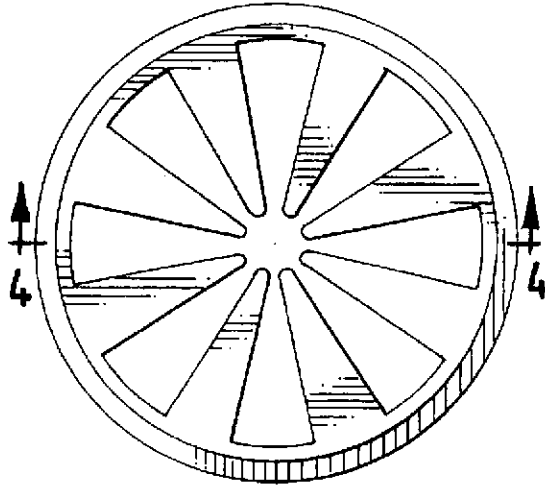


FIG. 3

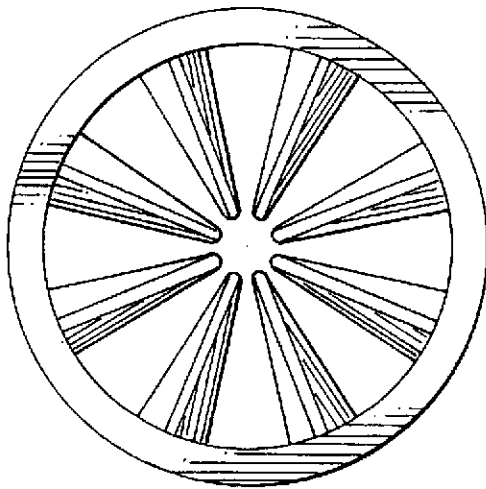


FIG. 4

