



US00D421295S

United States Patent [19]
Barnett

[11] **Patent Number: Des. 421,295**
[45] **Date of Patent: ** Feb. 29, 2000**

[54] **DRAIN CONSTRUCTION**
[76] **Inventor: Ralph L. Barnett, 5950 W. Touhy Ave., Niles, Ill. 60714-4610**
[**] **Term: 14 Years**

3,495,280	2/1970	Galbiati	4/679
3,561,017	2/1971	Holland	4/507
4,257,892	3/1981	Boersma	210/163
4,935,129	6/1990	Wang	210/163
4,999,858	3/1991	Wu	4/286

[21] **Appl. No.: 29/101,295**
[22] **Filed: Feb. 26, 1999**

Primary Examiner—Alan P. Douglas
Assistant Examiner—Reid Hecker
Attorney, Agent, or Firm—Jack Shore

[51] **LOC (6) Cl. 23-01**
[52] **U.S. Cl. D23/261**
[58] **Field of Search D25/53, 142, 153, D25/155, 157, 154; D32/56; D23/260, 261; 4/286, 292, 507, 650, 679; 210/163, 164; 404/2-4**

[57] **CLAIM**

The ornamental design for a drain construction, as shown and described.

DESCRIPTION

FIG. 1 is a perspective view of a drain construction showing my new design;
FIG. 2 is a top view thereof;
FIG. 3 is a bottom view thereof; and,
FIG. 4 is a cross-sectional view taken along line 4-4 in FIG. 2.
The broken line showing of environment is for illustrative purposes only and forms no part of the claimed design.

[56] **References Cited**
U.S. PATENT DOCUMENTS

D. 370,716	6/1996	Menzies	D23/261
1,195,827	8/1916	Lucke	210/163
3,081,042	3/1963	Moskovitz	4/286
3,212,416	10/1965	Boersma	210/164
3,268,920	8/1966	Beer	4/292

1 Claim, 1 Drawing Sheet

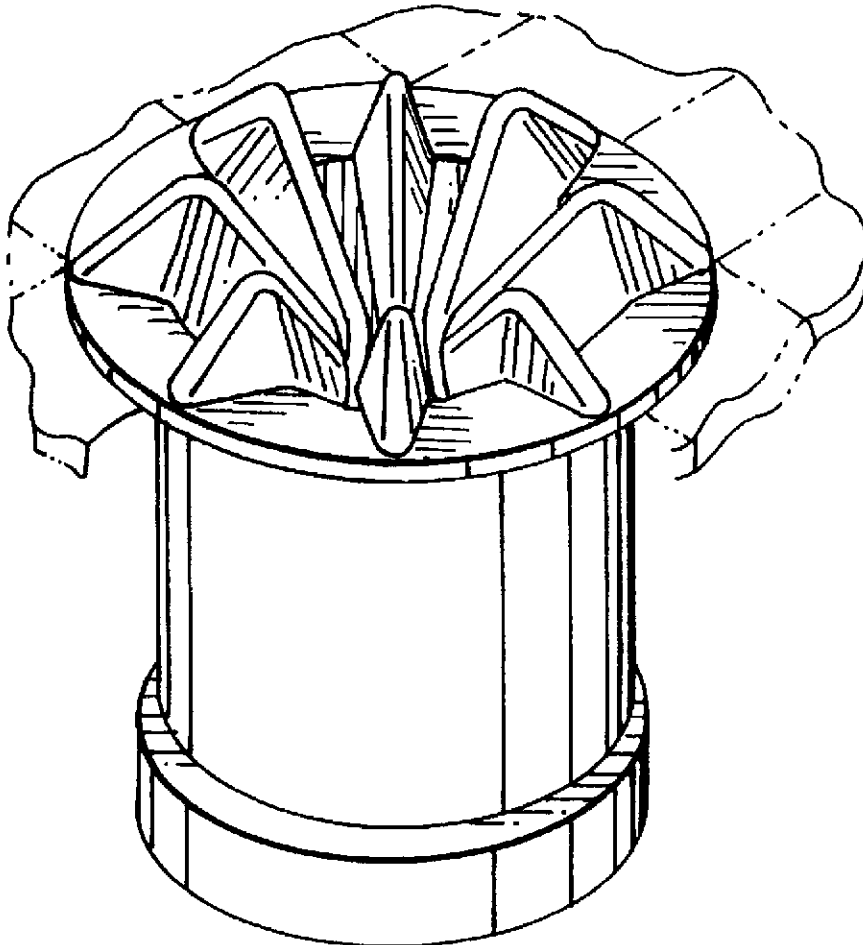


FIG. 1

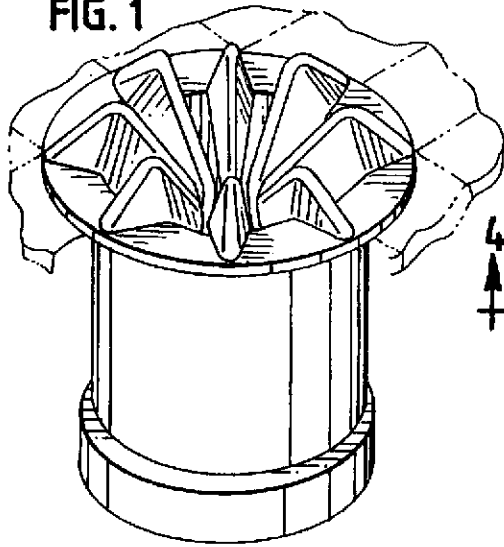


FIG. 2

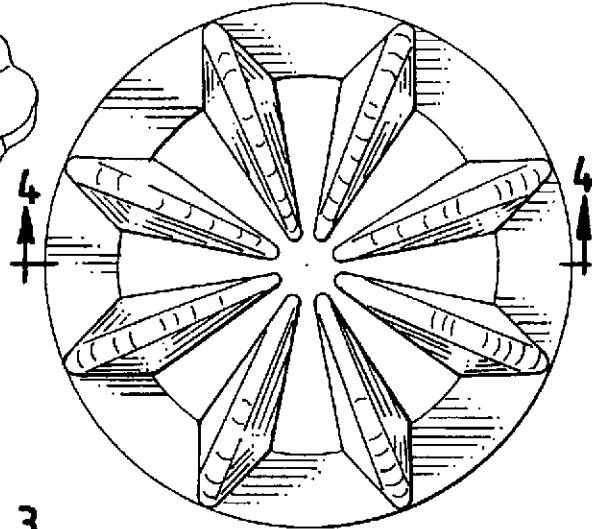


FIG. 3

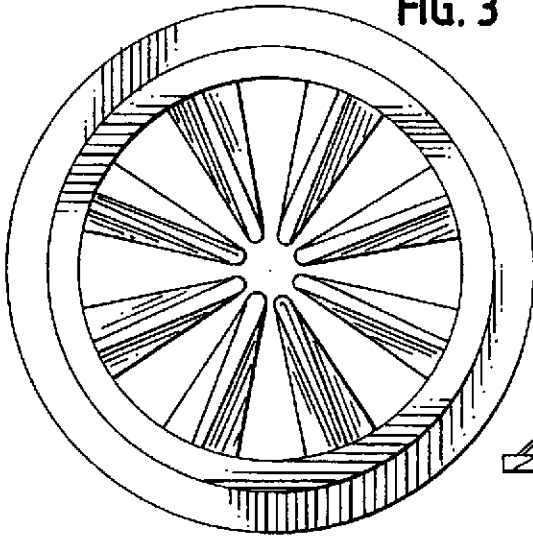


FIG. 4

