



US00D439957S

(12) **United States Design Patent** (10) Patent No.: **US D439,957 S**
Barnett et al. (45) Date of Patent: **** Apr. 3, 2001**

(54) **ANTI-HAIR SNARE**

(76) Inventors: **Ralph L. Barnett; Peter J. Poczynok,**
both of 5950 W. Touhy Ave., Niles, IL
(US) 60714-4610

(**) Term: **14 Years**

(21) Appl. No.: **29/120,384**

(22) Filed: **Mar. 20, 2000**

(51) LOC (7) Cl. **23-01**

(52) U.S. Cl. **D23/261**

(58) Field of Search **D23/260, 261;**
4/286, 287, 290, 292, 293, 679, 681

(56) **References Cited**

U.S. PATENT DOCUMENTS

D. 256,948 * 9/1980 Boersma D23/261

D. 401,675 * 11/1998 Stute D23/260
4,825,477 * 5/1989 Aranda 4/286
5,799,336 * 9/1998 Perry et al. 4/286
5,978,981 * 11/1999 Nelson 4/286

* cited by examiner

Primary Examiner—Robin V. Taylor

(57) **CLAIM**

The ornamental design for a anti-hair snare, as shown and described.

DESCRIPTION

FIG. 1 is a top perspective of a anti-hair snare showing our new design;
FIG. 2 is a bottom perspective view thereof;
FIG. 3 is a top view thereof; and,
FIG. 4 is a side view thereof.

1 Claim, 2 Drawing Sheets

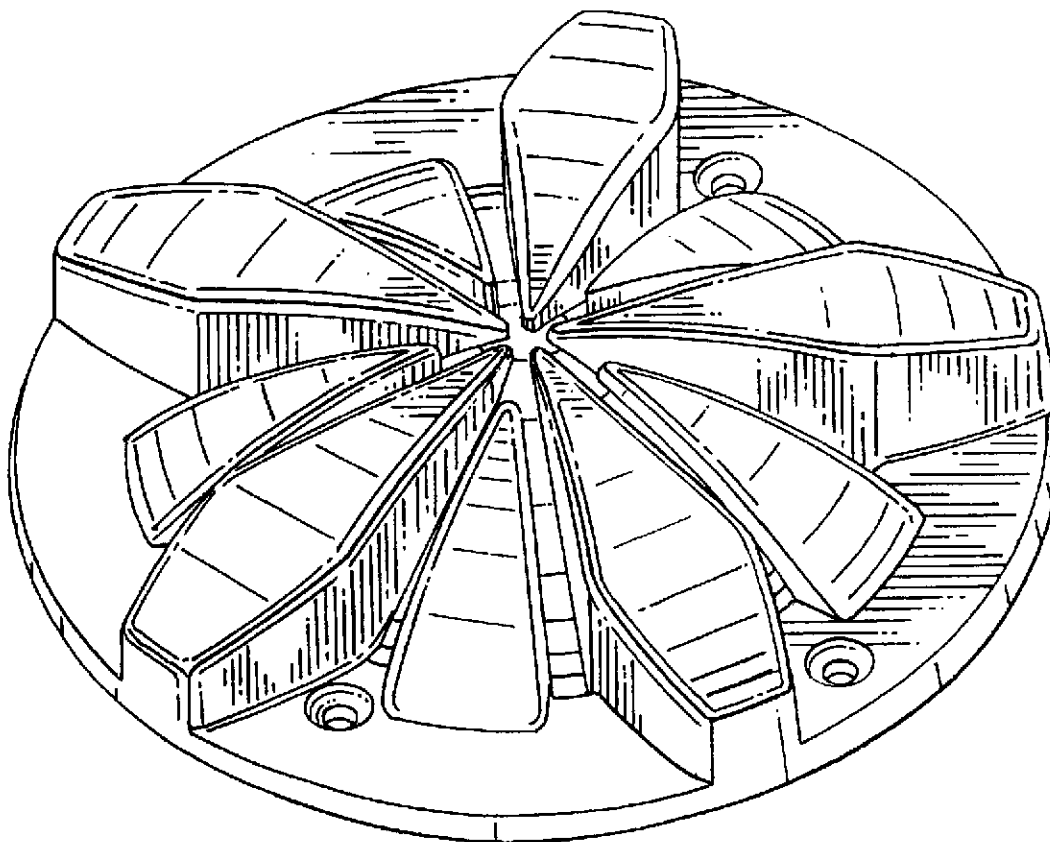


FIG. 1

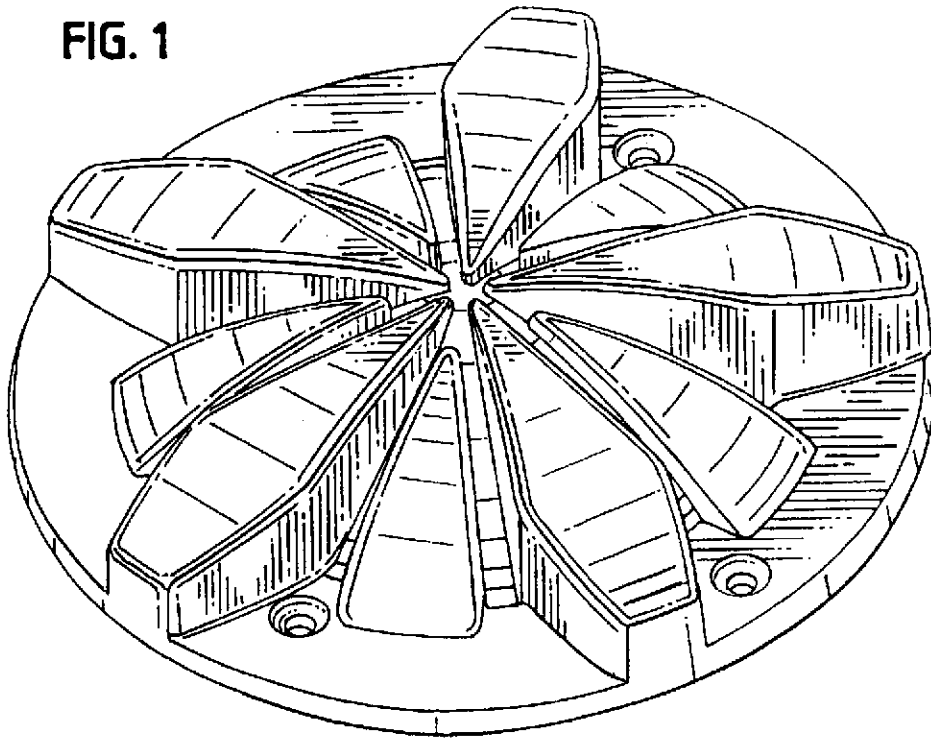


FIG. 2

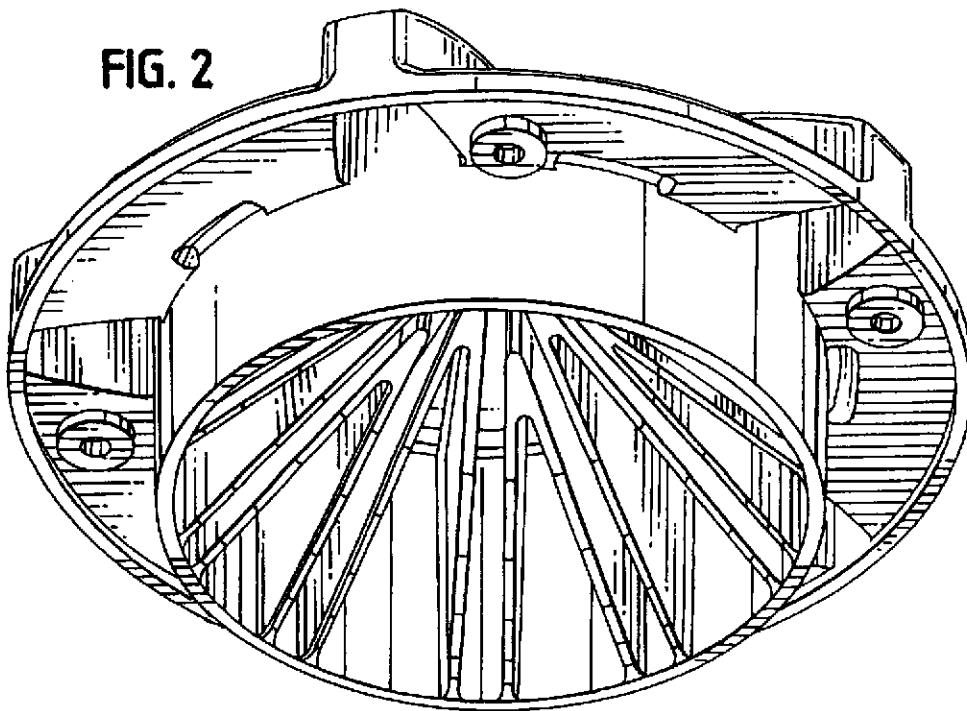


FIG. 3

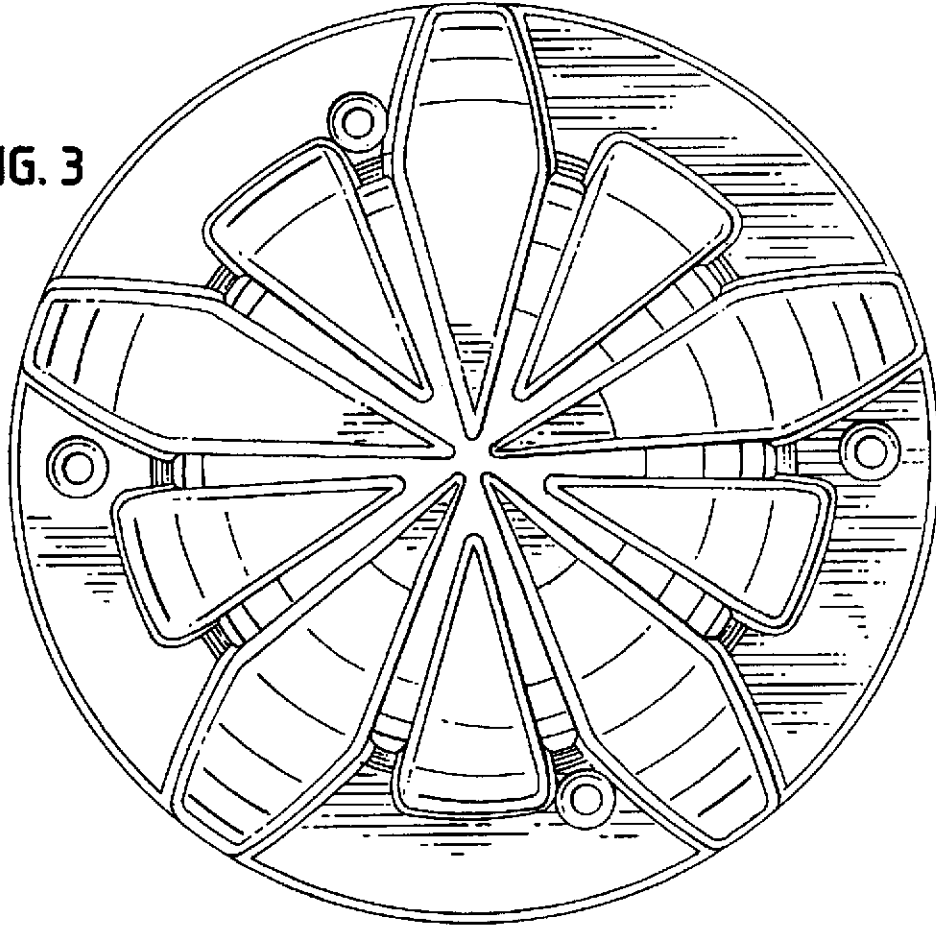


FIG. 4

